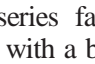


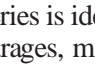
# Profile Fan Convactor Series

## MODELS PSU 10, PSU 15, PSU 23

### SUBMITTAL DATA INFORMATION

#### Application

The **Profile**  series fan convectors are slim, attractive surface mounted units with a base skirt which allows them to be wall mounted or floor mounted. All units feature a two position max.-off-min. switch with internal aquastat for individual heater control. A BTU/hr range from 3,000 BTU/hr to 23,000 BTU/hr gives a fast, efficient way to heat a room while using a minimum of wall space. A pleasing neutral light grey paint finish is ideal for many decors. This high grade finish may be used as is or may be field painted, wall papered, or marbled.

The **Profile**  series is ideal for porches, sun room additions, entry ways, cellars, garages, mudrooms, walk-in closets, to name but a few.

#### Engineering Specifications

**Construction.** All PSU fan convectors are constructed of an internal "Heatpack" section mounted to a well designed back chassis. All components are then enclosed under a shroud (cover) which is made of high grade zinc coated steel painted with a dove grey baked enamel finish.

**"Heatpack" Section.** A uniquely designed internal component consisting of the coil, fan and motor assembly and all controls integrally mounted.

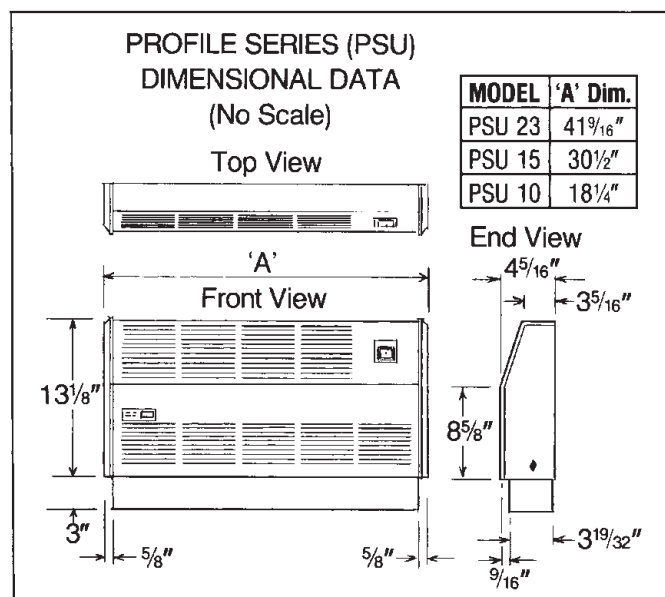
**Heat Exchanger.** A highly efficient, headered coil, made of copper tubes expanded into smooth aluminum plate fins (10 FPI), tested at 300 PSI, and sealed for quality. The heat exchanger is positioned in each PSU unit for maximum heat transfer over the coil.

**Fan and Motor Assembly.** High spec tangential SEL fan and motor assembly consists of high static fan wheel and scroll, detachable motor, replaceable "easy glide" sleeve bearings, and the fan and motor cut out are protected to UL/CSA specifications. This fan and motor assembly is designed to run whisper quiet without vibration.

**Controls.** All PSU units have integral two speed, max.-off-min., and switches (optional wall mounted fan speed controller is available). The LTC - low limit aquastat is also a high spec item with a close tolerance designed to close on a rise to 130°F+/-3°F and open at 110°F+/-3°F. For low temperature systems you will have to change out the aquastat located on the second copper tube U bend behind the speed switch, in the main control box, underneath the cover shroud.

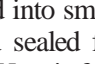
**Water Connections.** Supply and return connections are 1/2" sweat connections located on the left hand side of the unit as you face the grille. A water vent with wide convenient screwdriver slot is accessible on the left of the unit underneath.

**Electrical Connections.** 120/60/1 power supply is required. The cover shroud (i.e. the cover) must be removed to bleed the unit.



**E-Z Hanger:** The PSU Profile Series models now include the E-Z HANGER mounting bracket to reduce installation time and enhance serviceability.

#### Profile Series BTU/Hr Outputs

Capacity for the Profile  Fan Convectors											
BTU/HR @ 65°F Entering Air											
Model	Fan Speed	Press. Drop (Ft.)	ENTERING WATER TEMPERATURE (Deg. F.) - BTU/Hrs.								
			130°	140°	150°	160°	170°	180°	190°	200°	210°
PSU10	max.	2.75	3307	4278	5325	6192	7024	7957	9081	9736	10598
	min.		2315	2994	3727	4334	4915	5570	6350	6810	7415
PSU15	max.	3.07	3983	5120	6255	7382	8933	10590	12250	14349	15430
	min.		2788	3580	4375	5163	6250	7412	8575	10040	10800
PSU23	max.	3.82	6645	8790	10932	13070	15210	17370	19500	21530	23820
	min.		4650	6150	7651	9145	10645	12160	13645	15072	16675

#### NOTES:

- Capacities based on 2 gpm correction factors for:  
.5 gpm = .80; 1.5 gpm = .96; 2.5 gpm = 1.07; 3.0 gpm = 1.12; and 5gpm = 1.23.
- Aquastat set to close on a rise to 130 F and to open on a drop to 110 F. For outputs at 130 F and below optional field mounted 110 F-90F aquastat is required.
- It is recommended that selections be made at low speed at the desired water temperature.

MODEL	UNIT WEIGHT	WT. PACKED	CUBIC FT./MINUTE	
			MAX.	MIN.
PSU 10	24.6 lbs.	28 lbs.	75	50
PSU 15	33 lbs.	37 lbs.	140	100
PSU 23	44 lbs.	50 lbs.	210	150



**ENVIRONMENTAL PRODUCTS**

1875 Dewey Avenue, Benton Harbor, MI 49023 • (269) 925-8818