

SUBMITTAL SHEET

Pressure Gauge Specifications

Technical Specifications:

Operating Pressure Range: 75% of Scale Value

Over Pressure Limit: 120% of Max. Scale Value

Case: Steel , Powder Coated

Mounting: Stem, Surface, Pipe, Panel

Lens: Polypropylene

Joints: Alloy Brazing/Soldering

Socket: Brass

Bourdon: Brass

Movement: Brass

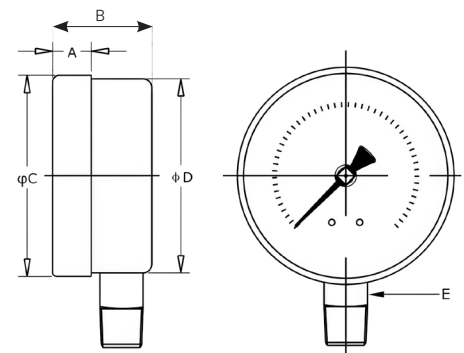
Dial: Aluminum

Pointer: Fixed

Window: Sheet Glass

Range: Vacuum to 600 psi

Job Name:	
Job Location:	
Engineer:	
Contractor:	
Tag:	
PO Number:	
Representative:	
Wholesale Distributor:	



Minimum / Maximum Temperature Limits		
AMBIENT	PROCESS	STORAGE
20°F to 150°F (-7°C to 66°C)	20°F to 150°F (-7°C to 66°C)	0°F to 150°F (-18°C to 66°C)

Specifications		
WEBB#	MFR #	DESCRIPTION
84202	PROGA-P5	PRES GA 5PSI 2-1/2" DIAL 1/4" MNPT BRS
36483	PROGA-P15	PRES GA 15PSI 2-1/2" DIAL 1/4" MNPT BRS
36484	PROGA-P30	PRES GA 30PSI 2-1/2" DIAL 1/4" MNPT BRS
36485	PROGA-P60	PRES GA 60PSI 2-1/2" DIAL 1/4" MNPT BRS
36486	PROGA-P100	PRES GA 100PSI 2-1/2" DIAL 1/4" MNPT BRS
36487	PROGA-P160	PRES GA 160PSI 2-1/2" DIAL 1/4" MNPT BRS
36488	PROGA-P200	PRES GA 200PSI 2-1/2" DIAL 1/4" MNPT BRS
36489	PROGA-P300	PRES GA 300PSI 2-1/2" DIAL 1/4" MNPT BRS
493583	PROGA-LZG	PRES GA 300PSI 2-1/2" DIAL HOS THD BRS

Accuracy

(as per ASME B.40.1/EN837-1)

2.5" - 2-1-2 Grade A

NS: 2.5"

A: 0.4"

B: 1.1"

ϕ C: 2.5"

ϕ D: 2.5"

E: 0.6"

Weight (lbs): 0.29

