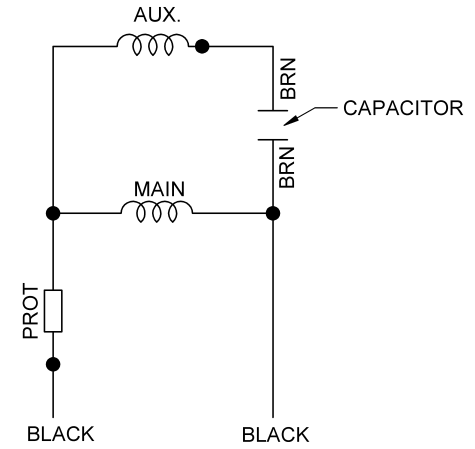


PROTECTOR TO BE POSITIONED  
AND SECURED PER S.E.I.M. 4-2



ROTATION: C.W. LEAD END

REFER TO SEIM 24-1

|                                    |  |   |               |                               |                 |                           |  |
|------------------------------------|--|---|---------------|-------------------------------|-----------------|---------------------------|--|
| REVISION DESCRIPTION FOR: C8396-00 |  | SCALE: NONE   | UNITS: INCHES | TITLE: DIAGRAM OF CONNECTIONS |                 | NIDEC MOTOR CORPORATION   |  |
| SUP. DWG DATED: 9/20/75            |  | TOLERANCES ON DIMENSIONS (UNLESS OTHERWISE SPECIFIED) |               | ISSUED BY: R. GUZMAN          |                 | APPROVED BY: J.I. SALAZAR |  |
| LAST REV. DATED: 1/12/76           |  | INCHES  | mm            | REVISION DATE: 23-SEP-13      |                 | REV. SHEET NUMBER: 1 OF 1 |  |
| UPDATED BACKGROUND TO NIDEC        |  | XX = ± .01  | .XXX = ± .005 | CODE: D04                     | DWG NO.: 206860 | DWG SIZE: B               |  |
| MATERIAL:                          |  | ANGLES X° = ±1°                                       |               |                               |                 |                           |  |

NIDEC CONFIDENTIAL  
NIDEC MOTOR CORPORATION 23-Sep-13

MUST BE COMPLIANT TO ROHS DIRECTIVE EU 2002/95/IEC AND REGULATION EC 1907/2006 (REACH) AS AMENDED