

# 754PXLF Pex Ball Valve • Spec Sheet



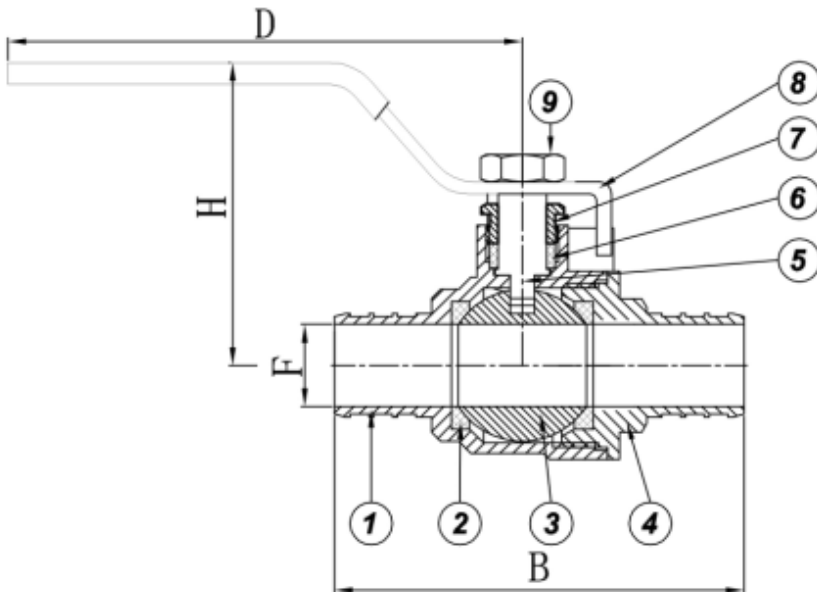
\*Product will have LF imprinted on the body for Lead Free

## FEATURES & BENEFITS

- Lead Free Forged Brass\*
- 600 WOG - 150 SWP
- Full Port
- 1/4 Turn With Packing Nut
- Two Piece Body
- Blow Out Proof Stem
- Sizes 1/2" & 3/4"

## DIMENSIONS

Part #	Size (F)	B	H	D
754PX03LF	1/2"	2.36	1.56	3.39
754PX04LF	3/4"	2.54	1.69	3.39



## MATERIAL SPECIFICATIONS

No.	Part	Material
1	Body	Lead Free Brass
2	Seating	Teflon
3	Ball	Lead Free Brass
4	Bonnet	Lead Free Brass
5	Stem	Brass
6	Gasket	Teflon
7	Press Nut	Brass
8	Handle	Iron
9	Screw Nut	Iron

\* This product complies with 0.25% weighted average lead content on wetted surfaces in accordance with CA AB1953.

