

754PXCEDELFCold Expansion Pex Ball Valve • Spec Sheet



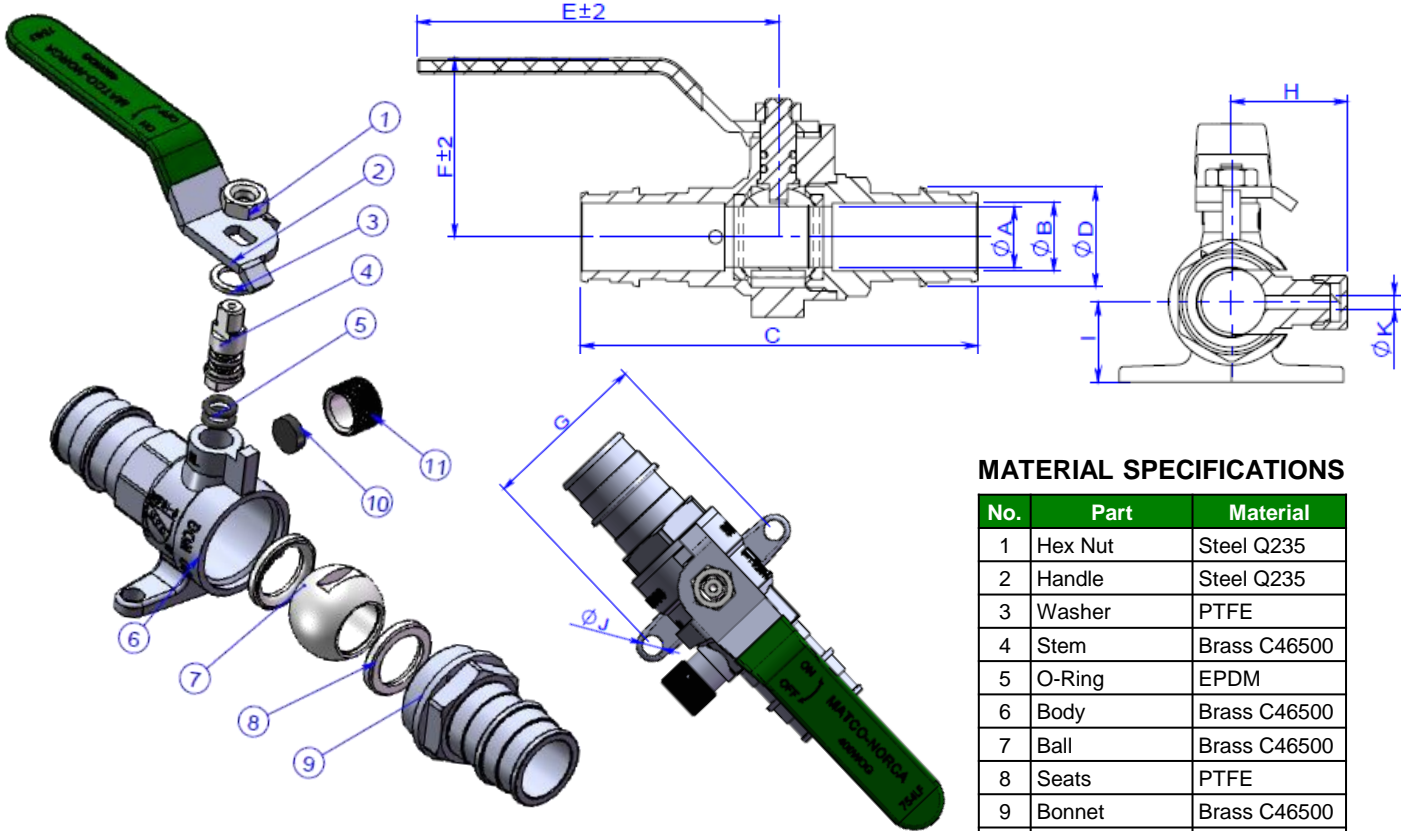
*Product will have LF imprinted on the body for Lead Free

FEATURES & BENEFITS

- Lead Free Forged Brass*
- Full Port
- 400 PSI (CWP)
- NSF 14/61 Approved
- cUPC Approved
- With Waste Drain & Drop Ear Elbow
- ASTM F 1960 (Cold Expansion Fitting Ends)
- Blow-Out Proof Stems
- Size 1/2" – 1"

DIMENSIONS

Part #	Size	A	B	C	D	E	F	G	H	I	J	K
754PXCEDE03LF	1/2"	0.39	0.39	2.82	0.61	2.96	1.50	1.48	0.94	0.53	0.20	0.12
754PXCEDE04LF	3/4"	0.53	0.60	3.49	0.87	3.17	1.58	1.65	1.02	0.70	0.20	0.12
754PXCEDE05LF	1"	0.75	0.81	4.26	1.11	4.18	1.97	1.93	1.17	0.87	0.20	0.12



MATERIAL SPECIFICATIONS

No.	Part	Material
1	Hex Nut	Steel Q235
2	Handle	Steel Q235
3	Washer	PTFE
4	Stem	Brass C46500
5	O-Ring	EPDM
6	Body	Brass C46500
7	Ball	Brass C46500
8	Seats	PTFE
9	Bonnet	Brass C46500
10	Rubber Gasket	EPDM
11	Cap	Brass

*This product complies with 0.25% weighted average lead content on wetted surfaces in accordance with the Safe Drinking Water Act (SDWA) / Federal Public Law No. 111-380.



Global sourcing. National compliance. Local service.

CALIFORNIA 5595 Fresca Dr., La Palma CA 90623
TEXAS 1150 Silber Rd., Houston TX 77055
ILLINOIS 278 Windy Point Dr., Glendale Heights, IL 60139
GEORGIA 113 Industrial Blvd., Americus, Georgia 31709
NEW YORK PO Box 27, Rt.22, Brewster NY 10509
 WEB: www.matco-norca.com

• Phone: 866-532-8306 • Fax: 866-532-8307
 • Phone: 800-935-5456 • Fax: 713-680-2999
 • Phone: 844-412-5068 • Fax: 800-640-2252
 • Phone: 800-433-7526 • Fax: 800-533-5134
 • Phone: 800-431-2082 • Fax: 845-278-9056
 EMAIL: mail@matco-norca.com