

# 754PXDEL F Pex Ball Valve • Spec Sheet

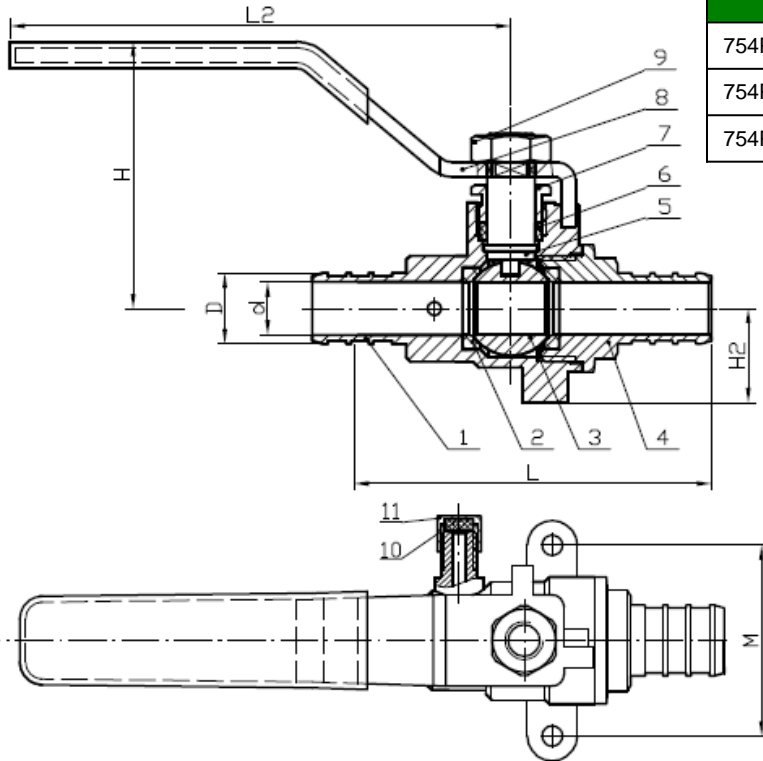


## FEATURES & BENEFITS

- Lead Free Forged Brass\*
- 600 WOG - 150 SWP
- Full Port
- Pex Ends
- Two Piece Body
- Blow Out Proof Stem
- With Waste Drain & Drop Ear Elbow
- Sizes 1/2" - 1"

## DIMENSIONS

Part #	Size	D	d	H	L	L2	H2	M
754PXDE03LF	1/2"	0.47	0.35	1.79	2.67	3.34	0.63	1.24
754PXDE04LF	3/4"	0.67	0.53	1.90	2.87	3.34	0.78	1.65
754PXDE05LF	1"	0.86	0.71	2.24	3.50	4.02	1.04	1.97



## MATERIAL SPECIFICATIONS

No.	Part	Material
1	Body	Lead Free Brass C46400
2	Seat Ring	PTFE
3	Ball	Lead Free Brass C46400
4	Bonnet	Lead Free Brass C46400
5	Stem	Brass HPb59-1
6	Seal	PTFE
7	Pressure Cap	Brass C37700
8	Handle	Iron Q235A
9	Screw Nut	Iron AISI 1010
10	Seal	Rubber NBR
11	Cap	Brass C37700

\* These product complies with 0.25% weighted average lead content on wetted surfaces in accordance with Safe Water Drinking Act (SDWA) / Federal Public Law No. 111-380.



Global sourcing. National compliance. Local service.

**CALIFORNIA** 5593 Fresca Dr., La Palma CA 90623 • Toll Free: 866-532-8306 • Fax: 866-532-8307  
**TEXAS** 1150 Silber Rd., Houston TX 77055 • Toll Free: 800-935-5456 • Fax: 713-680-2999  
**NEW YORK** PO Box 27, Rt. 22, Brewster NY 10509 • Toll Free: 800-431-2082 • Fax: 845-278-9056  
 WEB: [www.matco-norca.com](http://www.matco-norca.com) EMAIL: [mail@matco-norca.com](mailto:mail@matco-norca.com)