



Profile Series Fan Convectors

by Smith's Environmental Products

PSU Fan Convectors
Perfect For Areas With Limited Wall Space



Profile Series Fan Convectors

by Smith's Environmental Products

PSU Fan Convectors
Perfect For Areas With Limited Wall Space

Capacity BTU/HR @ 65° F Entering Air Temperature										
Model	Fan Speed	Pressure Drop (Ft.)	Entering Water Temperature (Deg. F) - BTU/HR							
			140°	150°	160°	170°	180°	190°	200°	210°
PSU-10	max.	2.75	4278	5325	6192	7024	7957	9081	9736	10598
	min.		2994	3727	4334	4915	5570	6350	6810	7415
PSU-15	max.	3.07	5120	6255	7382	8933	10590	12250	14349	15430
	min.		3580	4375	5163	6250	7412	8575	10040	10800
PSU-23	max.	3.82	8790	10932	13070	15210	17370	19500	21530	23820
	min.		6150	7651	9145	10645	12160	13645	15072	16675
PSU-30	max.	4.6	10050	12750	15800	19150	22000	24900	27750	30450
	min.		7030	8900	11020	13380	15350	17400	19425	21310
PSU-40	max.	4.6	19720	21384	23166	25300	29402	31600	35640	40700
	min.		17000	18250	20050	23008	25200	27055	29184	31040

NOTES:

1. PSU 10, 15 & 23 capacities based on 2 gpm correction factors for: .5 gpm = .80; 1.5 gpm = .96; 2.5 gpm = 1.07; 3 gpm = 1.12; and 5 gpm = 1.23. PSU 30 & 40 capacities based on 3 gpm correction factors for: 1 gpm = .85; 5 gpm = 1.18.

2. Aquastat set to close on a rise to 110°F and to open on a drop to 90°F.

3. It is recommended that selections be made at low speed at the desired water temperature.

MODEL	UNIT WEIGHT	WT. PACKED	CUBIC FT. / MINUTE	
			MAX.	MIN.
PSU-10	24.6 lbs.	28 lbs.	75	50
PSU -15	33 lbs.	37 lbs.	140	100
PSU -23	44 lbs.	50 lbs.	210	150
PSU -30	37.75 lbs.	45.25 lbs.	270	196
PSU -40	53.56 lbs.	62.86 lbs.	378	275



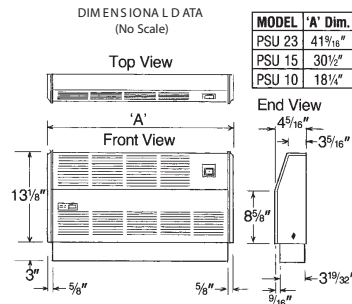
PSU10
PSU15
PSU23
PSU30
PSU40

- Quiet, Efficient Operation
- Delivers A Range From 3,000 To 40,000 BTUH in Five Different Sizes
- Three Position Fan Switch For Maximum Control
- Features The E-Z Hanger Mounting Bracket
- Attractive Dove Grey Baked Enamel Finish
- Ideal For Dormitories, Hotels, Hospitals Or Any Application Where High BTU Output Is Required With Limited Available Wall Space

The Profile series fan convectors are slim, attractive surface mounted units with a base skirt which allows them to be wall mounted or floor mounted. All PSU units feature a three position max.-off-min switch with internal aquastat for individual heater control. A BTU/hr range from 3,000 BTU/hr to 40,000 BTU/hr gives a fast, efficient way to heat a room while using a minimum of wall space. A pleasing neutral light grey paint finish is ideal for many decors. This high grade finish may be used as is or may be field painted, wall papered, or marbled.

The Profile series is ideal for residential and commercial applications where high BTU output is required with limited available wall space.

Designed to deliver high BTU output where there is limited available wall space



E-Z Hanger

All PSU Profile Series models include the E-Z HANGER mounting bracket to reduce installation time and enhance serviceability.

Our Larger Units

These larger units deliver up to 29,000 BTUH (PSU 30) and 40,000 BTUH (PSU 40).



PSU 40

