

# Repair Parts

116.606.AB.1

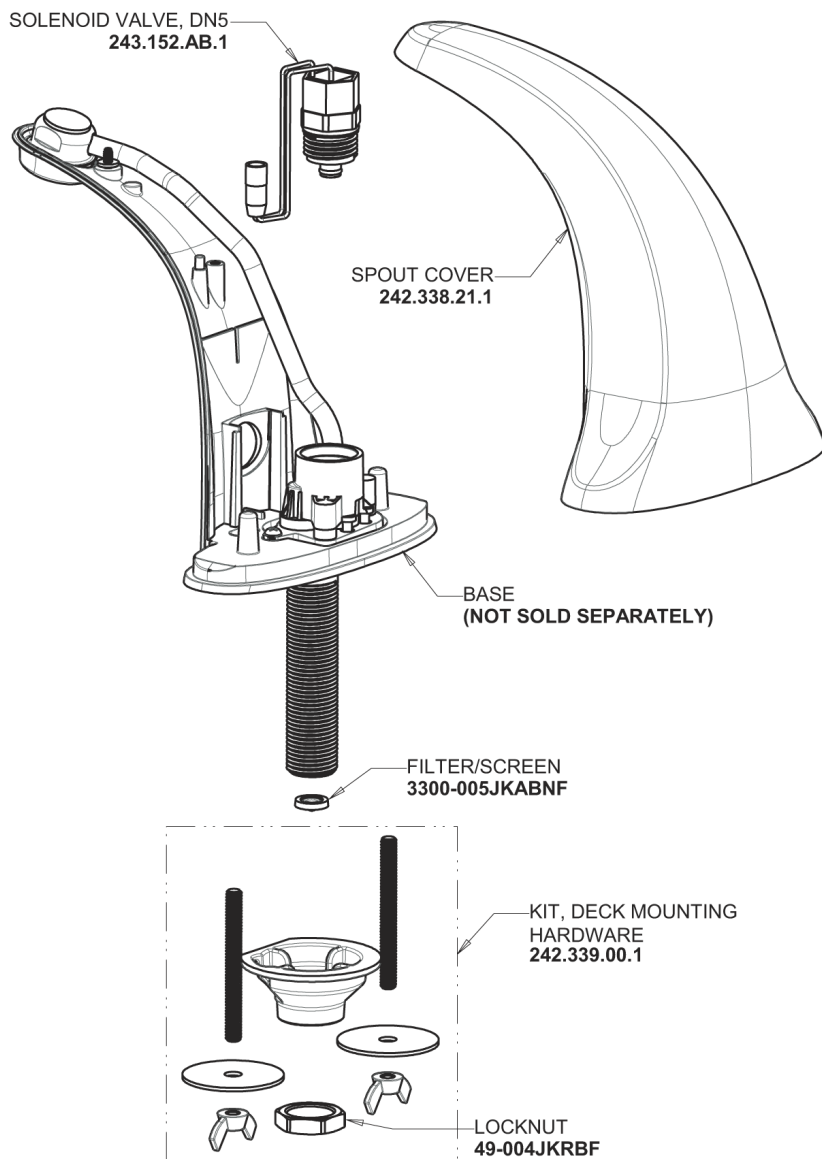
Touch-free, programmable faucet with above-deck electronics

# CHICAGO FAUCETS®

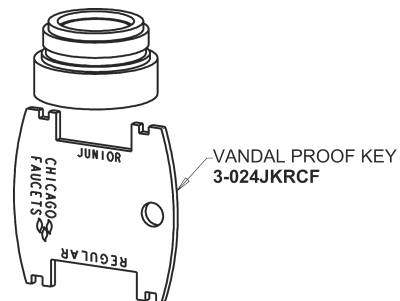
Geberit Group

E-Tronic 40 Base

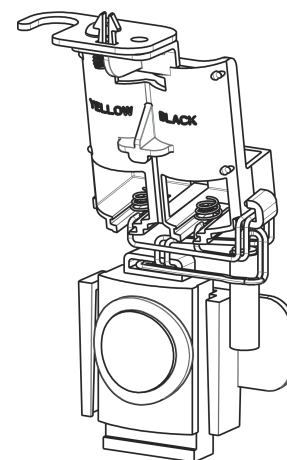
## Base Parts:



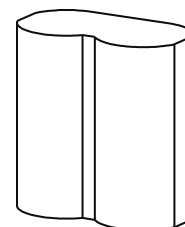
0.5 GPM (1.9 L/min) Vandal Proof  
Econo-Flo Non-Aerating Spray  
**E2805JKABCP**



Electronic Module  
**242.337.00.1**



CR-P2 6V Lithium Battery  
**242.560.00.1**



## For Technical Assistance:

Phone: 800-TEC-TRUE (832-8783)

Email: [techsupport.us@chicagofaucets.com](mailto:techsupport.us@chicagofaucets.com)

2100 South Clearwater Drive  
Des Plaines, IL 60018  
Phone: 847-803-5000  
[chicagofaucets.com](http://chicagofaucets.com)