



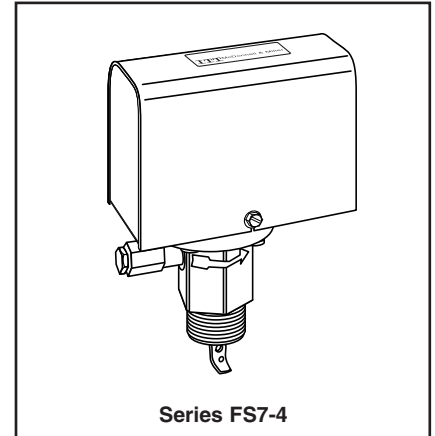
McDonnell & Miller

Installation & Maintenance
Instructions
MM-607(B)

Series FS7-4 Industrial Liquid Flow Switch

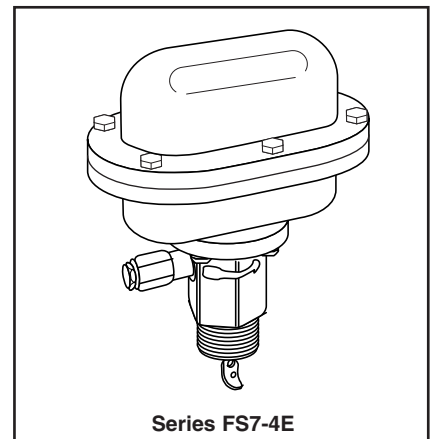






CE (specified models only)



OPERATION

This control is an independently mounted water flow sensing device that makes or breaks an electrical circuit when flow stops or starts.



|  WARNING | |
|--|---|
|  | <ul style="list-style-type: none">• Before using product, read and understand instructions.• Save these instructions for future reference. |
|  | <ul style="list-style-type: none">• All work must be performed by qualified personnel trained in the proper application, installation, and maintenance of plumbing, steam and electrical equipment and/or systems in accordance with all applicable codes and ordinances.• To prevent electrical shock, turn off the electrical power before making electrical connections.• To prevent an electrical fire or equipment damage, electrical wiring insulation must have a rating of 167°F (75°C) if the liquid's temperature exceeds 180°F (82°C). |
|  | <ul style="list-style-type: none">• To prevent electrocution, when the electrical power is connected to the flow switch, do not touch the terminals.• Make sure flow switch electrical cover is secured before turning on electric power. |
| Failure to follow this warning could cause property damage, personal injury or death. | |

SPECIFICATIONS

Maximum Liquid Pressure:

300 psi (21 kg/cm²) (All models except "S")
 1000 psi (70 kg/cm²) ("S" models)

Liquid Temperature Range (T_L):

32 - 300°F (0 - 149°C) (All models except "W")
 -65 - 300°F (-54 - 149°C) ("W" models)

Ambient Temperature Range (T_s):

32 - 120°F (0 - 49°C) (All models except "W")
 -65 - 300°F (-54 - 149°C) ("W" models)

Electrical Enclosure Rating:

Nema Type 1 (IP 21) (All models except "E" and "W")
 Nema Type 4X (IP 56) ("W" models)
 Nema Type 7 and 9 ("E" models)

Maximum Velocity:

10ft/sec (3M/sec)

Pipe Connection Thread Size:

1 1/4" NPT (All models except "J")
 1 1/4" BSPT ("J" models)

ELECTRICAL RATINGS

| Voltage | Motor Switch Rating (Amperes) | | Pilot Duty |
|---------|-------------------------------|--------------|--|
| | Full Load | Locked Rotor | |
| 120 VAC | 7.4 | 44.4 | 125 VA at 120 or 240 VAC 50 or 60 cycles |
| 240 VAC | 3.7 | 22.2 | |

| CE Circuit Rating | |
|-------------------|-----------|
| 7.4 (7.4)/120~ | 0.3/120= |
| 3.7 (3.7)/240~ | 0.15/240= |

Models that meet CE Conformance:

FS7-4EJ-E

FS7-4J-E

FS7-4SJ-E

FS7-4WJ-E

- **This Control:** is for continuous operations
 is not electronic
 has Type 1C action (micro interruption
 on operation)
- **LVD 73/23/EEC**
- **EMC 89/33/EEC**
 For applications with loads between 14mA and 3.7
 Amps, power factors exceeding 0.65, an anticipated

system switch operation rate of less than 5 times per
 minute, and any one cycle greater than 3 seconds on
 and 3 seconds off.

Additional suppression may be required for applica-
 tions outside these ranges.

- **Declaration of Conformity**
 Available on request.

FLOW RATES

Flow rates required to activate flow switch are shown in chart below. The values are calculated for sensing water (potable, non-polluted) in a horizontal pipe.

Settings will vary when used to sense flow of other fluids.

Flow Rates

| Model | Size NPT in. (mm) | Settings | Mode of Operation | | Max. Flow Rate gpm (lpm) w/o Paddle Damage |
|-----------|-----------------------|-----------------------|-------------------|----------------------|---|
| | | | Flow gpm (lpm) | No Flow gpm (lpm) | |
| FS7-4 | 1 1/4 (32) | Factory or Minimum | 4.8 (18.2) | 3 (11.4) | 47 (178) |
| | | Maximum | 7.7 (29.1) | 5.9 (22.3) | |
| | 1 1/2 (40) | Factory or Minimum | 6.3 (23.8) | 3.6 (13.6) | 63 (239) |
| | | Maximum | 10 (37.9) | 7 (26.5) | |
| | 2 (50) | Factory or Minimum | 9.9 (37.5) | 5.9 (22.3) | 105 (398) |
| | | Maximum | 15.8 (59.8) | 11 (41.6) | |
| | 2 1/2 (60) | Factory or Minimum | 15.3 (57.9) | 9.5 (36) | 149 (565) |
| | | Maximum | 23.7 (89.7) | 17 (64.3) | |
| | 3 (80) | Factory or Minimum | 24.4 (92.4) | 15.4 (58.3) | 230 (872) |
| | | Maximum | 35.5(134.4) | 29.2(110.5) | |
| | 4 (100) | Factory or Minimum | 33.3 (126) | 21.1 (79.9) | 397 (1505) |
| | | Maximum | 61.4(232.4) | 37.7(142.7) | |
| | 5 (125) | Factory or Minimum | 44.4(168.1) | 31 (117.3) | 654 (2479) |
| | | Maximum | 84 (317.9) | 51 (193) | |
| 6 (150) | Factory or Minimum | 56.3(213.1) | 48.7(184.3) | 900 (3411) | |
| | Maximum | 114.8(434.5) | 71 (270.6) | | |
| 8 (200)* | Factory or Minimum | 104(393.6) | 89 (336.9) | 1,500 (5,677.5) | |
| | Maximum | 210(794.9) | 131(495.8) | | |
| 10 (250)* | Factory or Minimum | 184(696.4) | 157(594.2) | 2,500 (9,462.5) | |
| | Maximum | 369 (1397) | 231(874.3) | | |
| 12 (300)* | Factory or Minimum | 289 (1094) | 247(934.9) | 3,500 (13,247.5) | |
| | Maximum | 582 (2203) | 363 (1374) | | |
| 14 (355)* | Factory or Minimum | 387 (1465) | 323 (1223) | 4,000 (15,140) | |
| | Maximum | 753 (2850) | 495 (1874) | | |
| 16 (405)* | Factory or Minimum | 513 (1942) | 428 (1620) | 5,000 (18,925) | |
| | Maximum | 998 (3777) | 656 (2483) | | |
| FS7-4L | 20 (500)** | Factory or Minimum | 520 (1968) | 260 (984) | 8,000 (30,280) |
| | | Maximum | 780 (2952) | 693 (2623) | |
| | 24 (600)** | Factory or Minimum | 752 (2846) | 376 (1423) | 12,000 (45,420) |
| | | Maximum | 1128(4269) | 1002(3793) | |
| | 30 (760)** | Factory or Minimum | 1177(4455) | 589 (2229) | 20,200 (76,457) |
| | | Maximum | 1766(6684) | 1570(59842) | |
| | 36 (910)** | Factory or Minimum | 1723(6522) | 861 (3259) | 28,270 (107,002) |
| | | Maximum | 2584(9870) | 2297(8694) | |

NOTE: DO NOT USE LIQUID FLOW SWITCHES ON SYSTEMS WITH FLOW VELOCITY GREATER THAN 10 FEET (3M) PER SECOND.

Values are ± 10%

* Equipped with a 6" (152mm) paddle

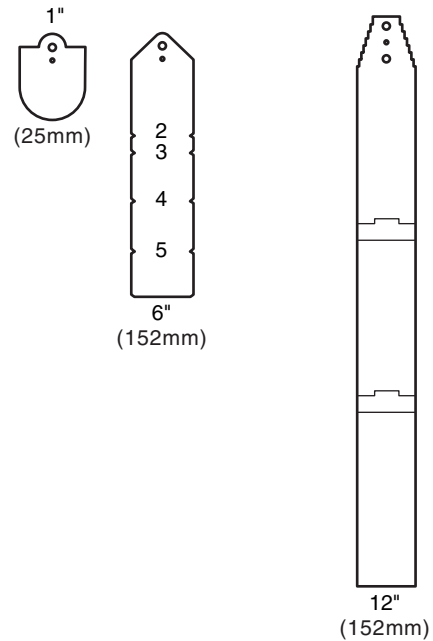
** Equipped with a 12" (304mm) paddle

INSTALLATION –

STEP 1 - Paddle Sizing

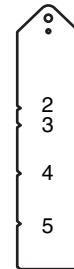
Pipe size determines the paddle length. Use the chart below to choose the correct paddle size for your installation.

| Pipe size in. (mm) | Paddle To Use |
|------------------------|------------------------|
| 1-1/4" (32) | 1" Paddle |
| 1-1/2" (40) | 1" Paddle |
| 2" (50) | 6" Paddle Trimmed to 2 |
| 2-1/5" (65) | 6" Paddle Trimmed to 2 |
| 3" (80) | 6" Paddle Trimmed to 3 |
| 4" (100) | 6" Paddle Trimmed to 4 |
| 6" (150) | 6" Paddle |
| 8" (200) to 16" (405) | 6" Paddle |
| 20" (500) to 36" (910) | 12" Paddle |



Note: 12" paddle will only fit on 'L' model units

- a. Trim paddle by cutting at appropriate notch with non-serrated tin snips.



- b. The paddle length can be adjusted if the desired setpoint exceeds the maximum adjustment as shown in flow rate chart. Use the following formula to change the paddle length.

$$\text{Paddle Length} = \frac{K}{\text{Flow Rate (GPM)}}$$

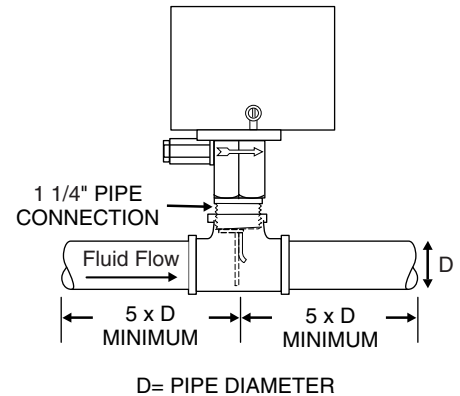
NOTE: If trimming the paddle for a no-flow action make sure there is enough flow to activate switch.

Series FS7-4 "K" Factor

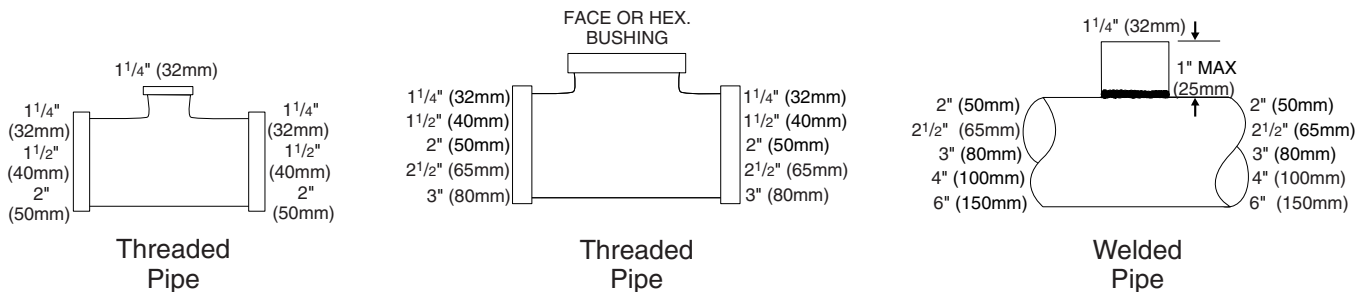
| Pipe Size NPT in. (mm) | Flow Maximum Adjustment | No-Flow Maximum Adjustment |
|---------------------------|-------------------------|----------------------------|
| 2 (50) | 34.63 | 30.43 |
| 2 1/2 (65) | 54.00 | 47.46 |
| 3 (80) | 92.94 | 81.69 |
| 3 1/2 (90) | 133.67 | 117.49 |
| 4 (100) | 183.35 | 161.15 |
| 5 (125) | 322.61 | 283.55 |
| 6 (150) | 510.70 | 448.87 |
| 7 (180) | 705.05 | 619.67 |
| 8 (200) | 1014.47 | 891.62 |
| 9 (230) | 1302.47 | 1144.79 |
| 10 (250) | 1791.70 | 1574.74 |
| 12 (300) | 2776.04 | 2439.88 |
| 14 (350) | 3729.02 | 3255.02 |
| 16 (400) | 4869.81 | 4250.81 |
| 18 (450) | 6164.08 | 5380.57 |
| 20 (500) | 7661.11 | 6687.31 |
| 30 (750) | 18202.0 | 15888.0 |

STEP 2 - Determine the Location of the Flow Switch

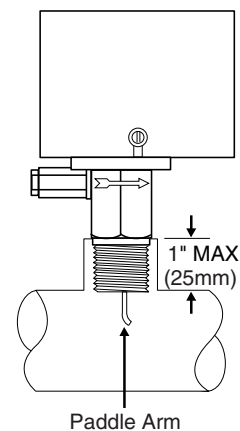
- The flow switch **must be located in a horizontal section of pipe** where there is a straight horizontal run of at least 5 pipe diameters on each side of the flow switch.
- The flow switch **must be installed in the upright position** as shown with arrow mark on side of casting in the same direction as fluid will flow.
- Some system conditions that require more than 5 pipe diameters are high viscosity fluid and high fluid velocity.
- The flow switch must be installed in the pump suction piping when spring-loaded check valves and/or other close coupled accessories are installed in the pump discharge piping.



- a. The flow switch must be installed in the pipe using a threaded tee connection or welding fitting of minimum length such as a half coupling. Use a face or hex bushing to reduce the tee outlet to 1 1/4" pipe thread if a reduced tee outlet thread size fitting is not available.

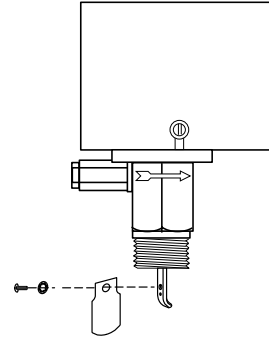


- b. When installing brazed/soldered copper pipe, size the threaded adapter to ensure the paddle arm extends into the main run of the pipe



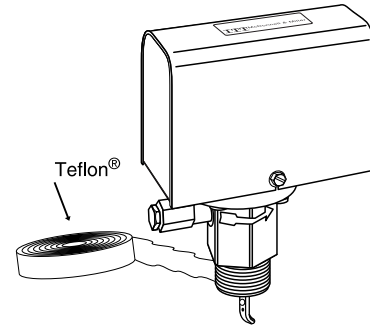
STEP 3 - Connecting the Flow Switch to Pipe

- a. Insert the 8/32 x 1/4" flathead screw through washer and paddle. Attach screw to opposite side of the paddle arm's curve and tighten to a torque of approximately 12-16 lb•in (1.36-1.81 N•m).

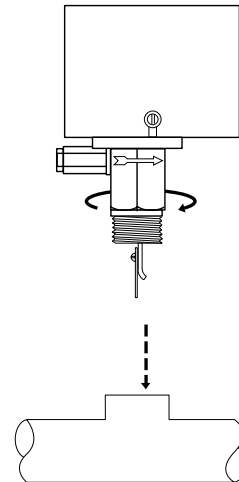


- b. Apply pipe sealing compound or Teflon® tape to the flow switch pipe threads.

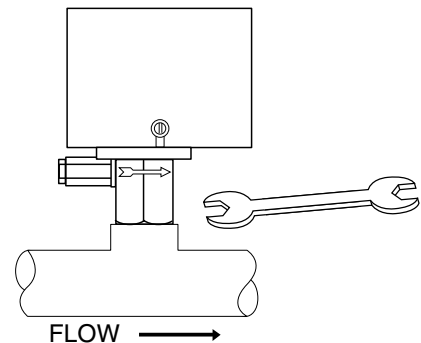
NOTE: Do not apply sealant to first threads as this switch is grounded (earthed) via the pipe mounting.



- c. Insert the flow switch into the pipe tee. Turn the flow switch two (2) or three (3) revolutions clockwise until tight. Do not put excessive force on cover when turning.



- d. Place a 1 3/4" open end box wrench on flow switch body to tighten to final position. Final position is with arrow on body aligned in the same direction as liquid flow.



STEP 4 - Electrical Installation

WARNING



- To prevent electrical shock, turn off the electrical power before making electrical connections.
- To prevent an electrical fire or equipment damage, electrical wiring insulation must have a rating of 167°F (75°C) if the liquid's temperature exceeds 180°F (82°C).

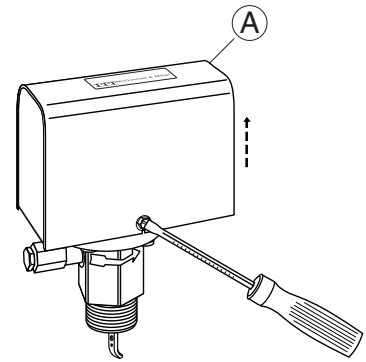


- To prevent electrocution, when the electrical power is connected to the flow switch, do not touch the terminals.
 - Make sure flow switch electrical cover is secured before turning on electric power.
- Failure to follow this warning could cause property damage, personal injury or death.

a. Cover Removal and Installation Procedure

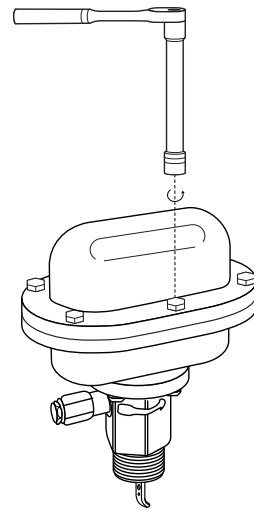
For FS7-4 models with NEMA 1 Enclosure

- Using a flathead screwdriver, loosen but do not remove the two cover screws and remove the cover (A).
- Place the cover on the flow switch sliding the slots behind the two loose cover screws. Push the cover down into the flow switch and using a flat blade screwdriver, tighten the cover screws to a torque of 10 lb•in (1.13 N•m).



For FS7-4W & FS7-E models

- Using a 5/16" socket wrench, unscrew the six bolts that secure the switch housing and remove cover.
- FS7-4W models have gasket that needs to be removed and replaced.
- Place cover on flow switch and use 5/16" socket wrench to tighten the six bolts to 5 ft•lb (7 N•m) torque.

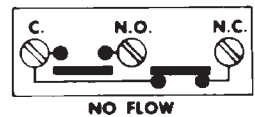
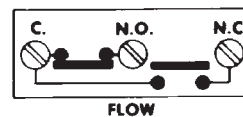


b. Electrical Conduit Connection

- Connect electric conduit to flow switch electrical enclosure.
- Follow accepted electrical practices when installing fittings and making connections.
- Refer to and follow local codes and standards when selecting the types of electrical fittings and conduit to connect to flow switch.

c. Determine which switch action is required for the flow switch.

- “Flow” means that the switch will close circuit C.-N.O. and open circuit C.-N.C. when flow rate is increased above setpoint of flow switch.
- “No Flow” means that the switch will open circuit C.-N.O. and close circuit C.-N.C. when flow rate is decreased below setpoint of flow switch.



- d. Based upon the mode of operation (“Flow” or “No-Flow”) required, complete the appropriate steps to connect wires to flow switch. Use a Phillip’s head screwdriver to loosen and tighten switch terminal screws when attaching wires.

For “Flow” Mode of Operation (Fig. 1)

If the flow switch will be used to actuate a signal, alarm or other device when **flow** occurs, connect the wire from that device to the “N.O.” contact. Connect the “Hot” power supply wire to “C” terminal.

For “No Flow” Mode of Operation (Fig. 2)

If the flow switch will be used to actuate a signal, alarm or other device when **no flow** occurs, connect the wire from that device to the “N.C.” contact. Connect the “Hot” power supply wire to “C” terminal.

NOTE: Repeat above to connect wires to second switch on “D” model flow switches.

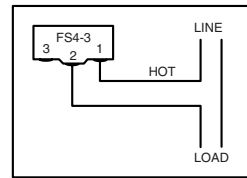
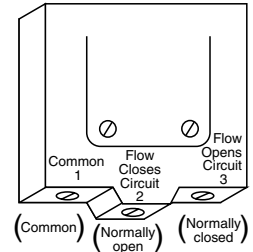
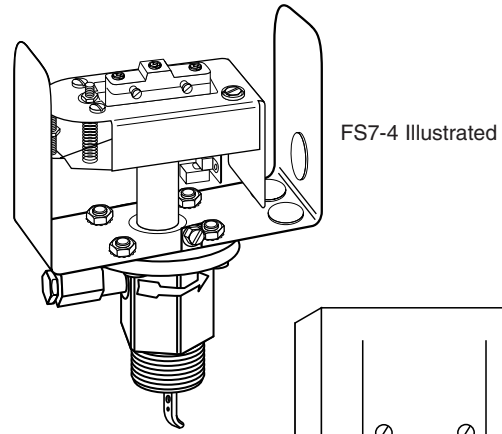


Fig. 1

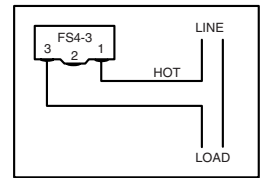
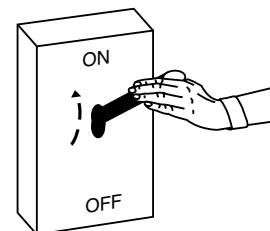


Fig. 2

STEP 5 - Testing

- Place cover on flow switch and turn on power. Initiate fluid flow through the system. Observe the device being activated by the flow switch to determine if device is operating as required.
- Turn off fluid flow to determine if device is operating as required.
- Repeat initiating and turning off fluid flow several times to test flow switch and device for proper operation.
 - If operating as required, put system into service.
 - If not operating as required, flow switch may need to be adjusted.



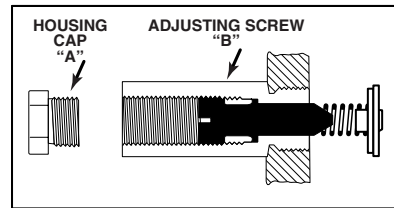
STEP 6 - Adjustment

Adjustment is necessary only if required flow/no flow set-points are **above** factory set minimum.

- a. Unscrew housing cap (A) using a flathead screwdriver.
- b. Turn the adjusting screw (B) clockwise to increase setpoint.

IMPORTANT: Do not attempt to lower flow switch setpoint from original factory minimum setting. Lowering (turning adjusting screw counterclockwise) the setpoint from original factory setting may cause erratic flow switch operation.

- c. Replace housing cap (A) and tighten to approximately 11 ft•lb (15 N•m) torque.
- d. Test the operation of the flow switch after each adjustment.

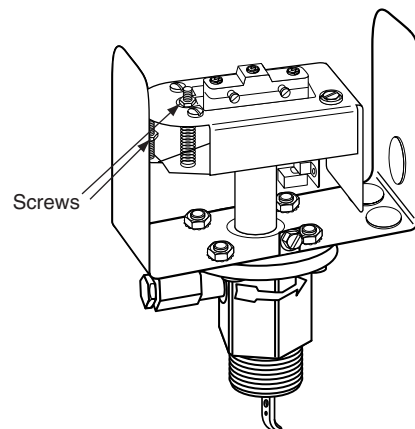


FS7-4E / FS7-4W
Illustrated



CAUTION

- These screws are for factory adjustment only.
- Adjusting these screws in the field can cause the flow switch to become inoperative.



MAINTENANCE

SCHEDULE:

- **Inspect paddles annually. Turbulent or high flow velocity conditions may require more frequent inspection and/or replacement.**
- **Replace paddles if damaged or showing signs of wear.**
- **Replace flow switch every 5 years or 100,000 cycles, whichever occurs first.**

TROUBLESHOOTING

Problem:

1. Flow Switch Does Not Operate

Solution:

- a. Make sure power has been turned on to device and flow switch.
- b. Verify that flow rate is high enough for flow switch to activate. Measure flow rate and match with velocities shown in flow rate chart.
- c. Check to see if paddle moves freely. Some system piping disassembly may be required.

2. Flow Switch Operates Erratically

Solution:

- a. Flow switch may be located in an area of high turbulence causing paddles to flutter.
- b. Adjustment screw may have been turned below original factory setpoint. Verify that flow rate is high enough for flow switch to activate. Measure flow rate and match with velocities shown in flow rate chart.
- c. Check to see if paddle moves freely. Some system piping disassembly may be required.

3. Flow Switch Does Not Deactivate

Solution:

- a. Check to see if paddle moves freely. Some system piping disassembly may be required.
- b. Measure flow rate and match with velocities shown in flow rate chart. Flow switch must prove flow before it can indicate no flow.

McDonnell & Miller
8200 N. Austin Ave.
Morton Grove, IL 60053
tel: 847-966-3700
fax: 847-966-9052
www.mcdonnellmiller.com

©2006 ITT Corporation
Printed in U.S.A. 11-06 246618