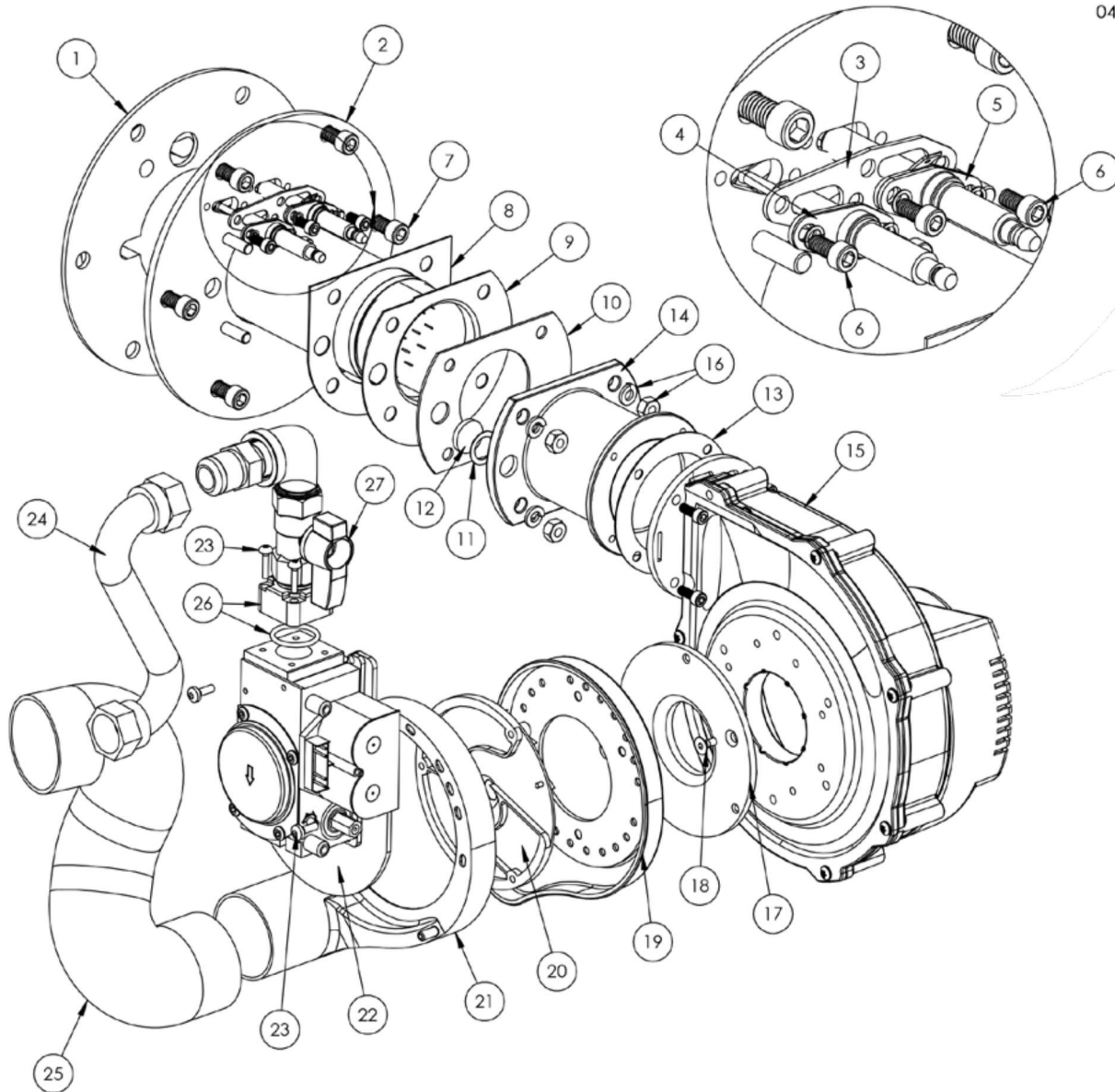


ITEM #	DESCRIPTION	PART#
1	LOW WATER CUT-OFF SENSOR	7000P-852-1
2	HIGH TEMP SAFETY SWITCH	7100P-006
3	UPPER TEMPERATURE SENSOR	7100P-004
4	TEMPERATURE AND PRESSURE RELIEF VALVE 100 BTU	TP1900
	TEMPERATURE AND PRESSURE RELIEF VALVE 130/160/199 BTU	TP1400
5	BLOCKED VENT PRESSURE SWITCH	7250P-150
6	CONTROL BOARD	7450P-122
7	120 VOLT WIRE HARNESS (LOCATION SHOWN)	7100P-272
8	LOW VOLTAGE WIRE HARNESS (LOCATION SHOWN)	7100P-273
9	CONTROL DISPLAY	7350P-009
10	S.S. HOSE BARB	7250P-154
11	HIGH FLUE TEMP SWITCH	VS210
12	CONDENSATE HOSE	7100P-121
13	HOSE CLAMP - CONDENSATE HOSE	7250P-215
14	SENSOR WIRE HARNESS (ATTACHES TO ITEM #9)	7100P-274
15	2" COUPLING - AIR INLET (100/130 BTU)	7100P-114
	3" COUPLING - AIR INLET (160/199 BTU)	7100P-103
16	NUT - AIR INLET COUPLING	7100P-104
17	OUTDOOR SENSOR (NOT SHOWN)	7250P-319
18	COLD WATER INLET DIP TUBE (PHM MODELS ONLY)	6070P-048
19	DRAIN VALVE (PHM MODELS ONLY)	6070P-009

Figure 30 - Replacement Parts

LP-179-H
04/05/17

ITEM#	DESCRIPTION	PART#
1	GASKET - MOUNTING PLATE	7100P-139
2	MOUNTING PLATE	7100P-007
3	GASKET - PROBES	7100P-155
4	FLAME RECTIFICATION PROBE (w/GASKET)	7100P-082
5	IGNITOR ELECTRODE (w/GASKET)	7100P-124
6	10-32 X 3/8 SCREWS/#10 LOCK WASHERS	N/A
7	5/16-18 x 5/8" SOCKET CAP SCREW	7700P-101
8	GASKET - BURNER MOUNTING FLANGE	7100P-152
9	BURNER - 100-130K BTU	7100P-516
	BURNER - 160-199K BTU	7100P-517
10	GASKET - BURNER OUTLET	7000P-361
11	GASKET - SIGHT GLASS	7100P-105
12	SIGHT GLASS	G2000
13	GASKET - AIR CHANNEL	7500P-075
14	AIR CHANNEL	7700P-003
15	COMBUSTION BLOWER	7100P-518

ITEM#	DESCRIPTION	PART#
16	1/4-20 BRASS NUTS/1/4 LOCK WASHERS	7100P-268
17	ADAPTER PLATE	7250P-644
18	SCREW - ADAPTER PLATE	7100P-045
19	AIR INTAKE ADAPTER - BLOWER SIDE	7500P-185
20	SWIRL PLATE - BLACK (100/130 BTU)	7100P-042
	SWIRL PLATE - WHITE (160/199 BTU)	7500P-092
21	AIR INTAKE ADAPTER - VALVE SIDE	7500P-184
22	GAS VALVE (100/130 BTU)	7000P-862
	GAS VALVE (160/199 BTU)	7000P-863
23	SCREWS	7250P-717
24	1/2" FLARE X 1/2" NPT FLEX HOSE	7100P-140
25	TUBE - AIR INLET	7500P-189
26	GAS VALVE ADAPTER (w/O-RING)	7250P-454
27	GAS SHUT-OFF VALVE	7250P-140

Figure 31 - Replacement Parts - Combustion System