



FRESH ACCESS™

Submittal: ECO-TOUCH

Touch Screen Programmable Wall Control

Job Name _____
 Purchaser _____
 Submitted to _____
 Unit Designation _____

Location _____
 Engineer _____
 Reference _____ Approval _____ Construction _____
 Schedule # _____

Technologically advanced and feature-rich; the touch wired controller provides contractors and homeowners with a higher level of control over indoor air quality. The MAX mode gives you the extra ventilating power you need to quickly clear the air by taking advantage of the system's powerful fans. During MAX mode, the system exchanges indoor air for outdoor air at maximum speed for a desired period of 20, 40 or 60 minutes.

ECO Mode

With just one touch, the unique ECO Mode will automatically choose the best operating settings based on your home's current conditions, while lowering energy consumption by up to 25%

Display

Multi-segment, backlit blue in color, touch capable

Time of day

Light intensity sensor

Sensor accuracy

Displayed RH depends on the room air movement.

Communication

Custom 2 wire interface, 12V dc not polarity sensitive

Power

12V dc not polarity sensitive

Connector

2 wire screw terminal up to 18 AWG

Plastics

WHITE CWL 9519, Smooth matte surface finish

Backplate

Can be mounted using screws on drywall and/or on electrical enclosure NEMA 5-15R (Residential 120V ac single enclosure)

Ventilation Mode

There are 3 possible ventilation modes. VENTILATION, RECIRCULATION, STANDBY/OFF

External dimensions

The wall control has a dimension of 3 ⁵/₈" wide x 4 ⁷/₈" high x ⁷/₈" thick.

Warranty

2 year warranty



Features

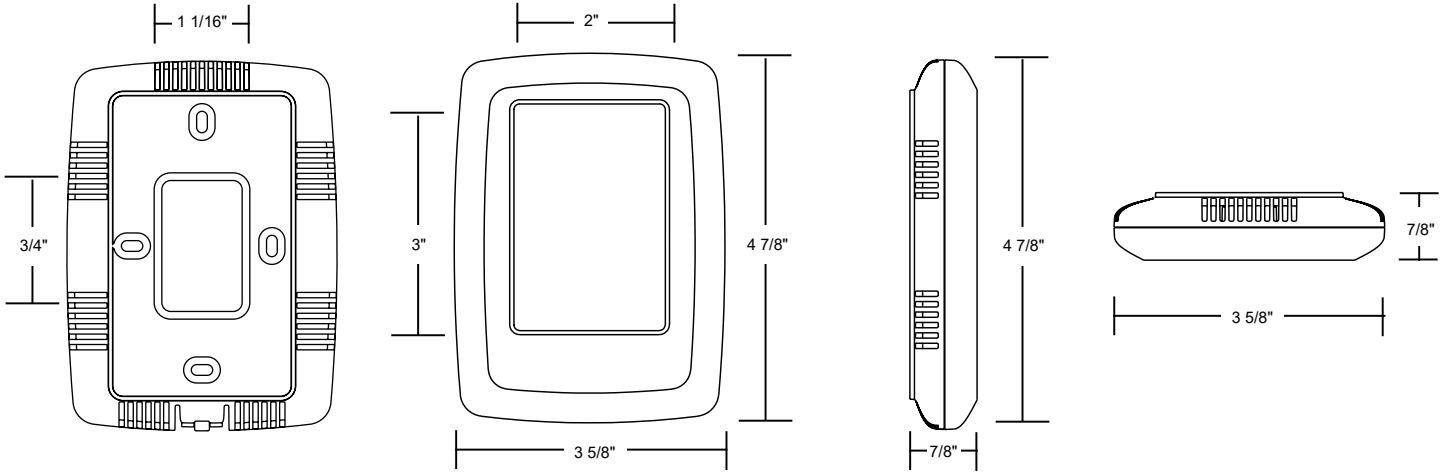
- ECO Mode
- 20 minute ventilation / 40 minute recirculation mode
- Preferences for desired indoor relative humidity range
- 2" x 3" (5cm x 7.5cm) LCD backlit touch screen
- Ventilation movement is displayed on screen
- Indoor relative humidity display
- No battery to replace
- Filter maintenance reminder indicator
- All programmable settings are retained during power outages
- Error code messages reduce troubleshooting time
- Day and Night settings
- Compatible with Fresh Access™ ERV models AN035NSEDV/AA, AN075NSEDV/AA, and AN120NSEDV/AA.

Samsung HVAC maintains a policy of ongoing development, specifications are subject to change without notice.
 Refer to installation manual for wiring and installation instructions.

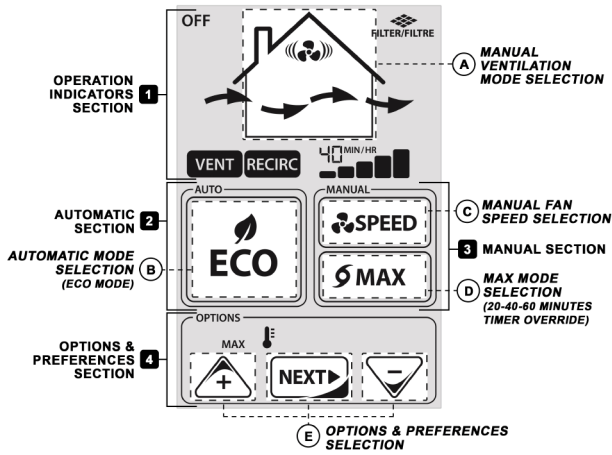
Submittal: ECO-TOUCH

Touch Screen Programmable Wall Control

Dimensions



Display Icons



OPERATION INDICATORS		
 VENT Air Exchange mode Animation	 RECIRC Recirculation mode Animation	OFF System stand-by
 Fan speed level and timer	 Fan operation Animation	 *Deactivated *Activated Icon activation

Requirements and standards

- Complies with Novoclimat 2.0