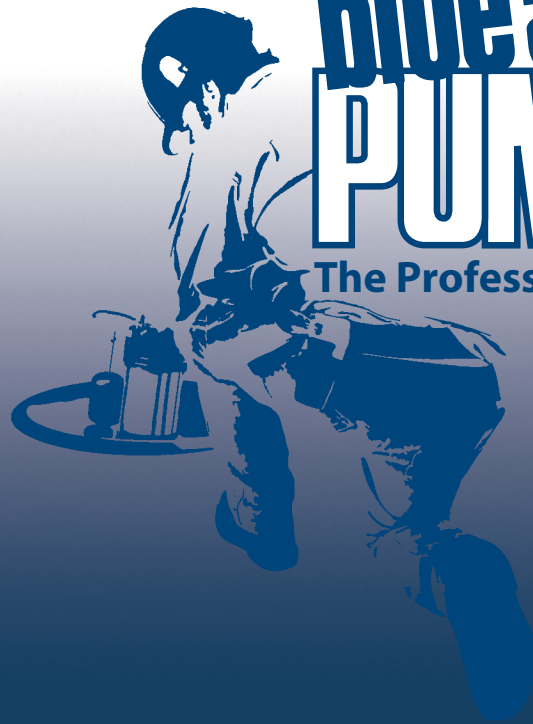


TRANSFER UTILITY PUMP KIT

blueangel
PUMPS
The Professional's Line



- **610 GPH @ 0'**
(40 PSI DISCHARGE PRESSURE)
- **Boosts Line Pressure Up to 40 PSI**
- **Corrosion-Resistant Cast Iron Pump Housing and Motor for Durability**
- **Removes Water Down to 1/8" of Surface When Water Suction Strainer is Connected**
- **Applications Include Drainage, Dewatering Flooded Basements, Emptying Stock Tanks, Draining Water Heaters, Cleaning Tankless Water Heaters and Charging Polyglycol Radiant Heating Lines**
- **Kit Includes**
 - **1/2 HP Cast Iron Portable Pump**
 - **Suction Strainer**
 - **Thermoplastic Carry and Storage Case**
 - **3/4" Brass Adapters**

1
YEAR
Warranty

www.blueangelpumps.com

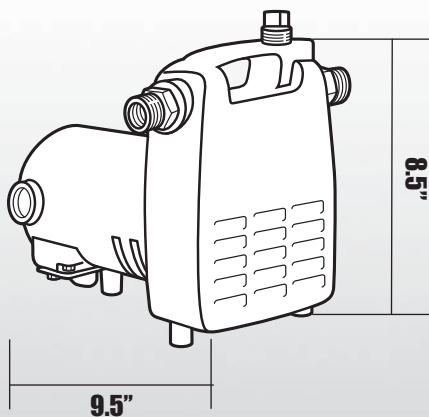
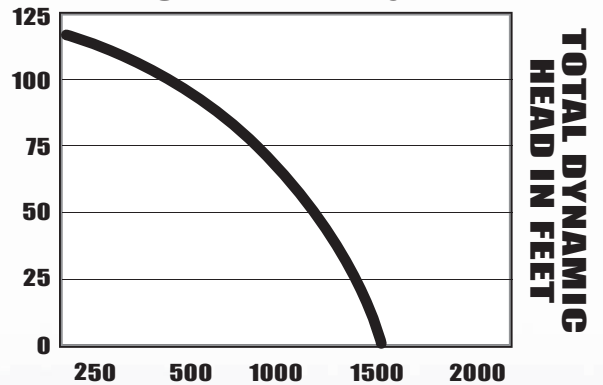
TRANSFER UTILITY PUMP KIT

EC50K

- 8' SJTW Power Cord
- Non-Automatic
- Suction Head Up to 15'
- Shipping Weight, 23.7 lbs
- Kit Includes:
 - 1/2 HP Cast Iron Portable Pump
 - Suction Strainer
 - Thermoplastic Carry and Storage Case
 - 3/4" Brass Adapters
- 1 Year Warranty



FLOW RATE IN GPH



MOTOR SPECIFICATIONS

MOTOR	RPM	VOLTS	AMPS	HZ
Universal	7500	120	7.3	60

PERFORMANCE

DISCHARGE PRESSURE PER SQUARE INCH	SUCTION LIFT GALLONS PER HOUR - IN FEET			
	0'	5'	10'	15'
5	1450	1420	1350	1270
10	1370	1300	1230	1160
15	1250	1190	1120	1040
20	1140	1070	1000	930
25	1020	950	880	810
30	890	820	750	570
35	750	680	620	550
40	610	540	480	410

FOR PUMP AND SYSTEM ACCESSORIES SEE ACCESSORIES SECTION
 BLUE ANGEL™ PUMPS • 101 Production Drive • Harrison, OH 45030 • 1-888-636-6628

© 2007 Blue Angel Pumps All Rights Reserved