

Electronic Oil Igniters

For Pressure Washers - 120V, 240V AC, 12V DC

Beckett
PARTS & ACCESSORIES

Product Sheet

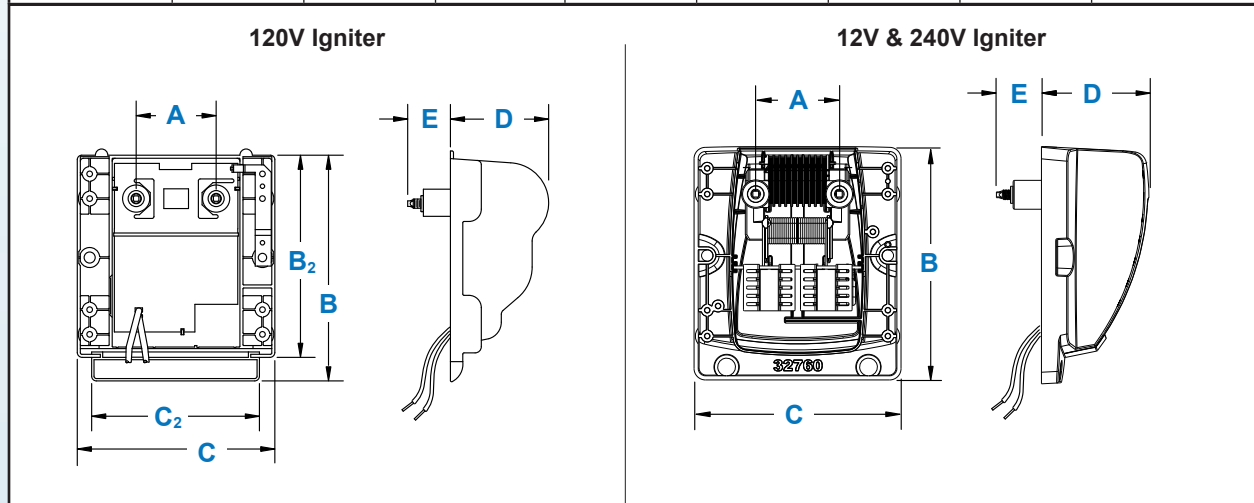
Features & Benefits

- UL recognized in the US and Canada (120V only).
- 20 kV peak rating guarantees quick and efficient ignition.
- Small size and lightweight.
- A vacuum encapsulation process using a synthetic resin provides resistance to moisture and excellent heat dissipation and electrical insulation.
- Case material is a high-temperature thermoplastic that provides high impact strength and scratch resistance, and is impenetrable to most chemicals.
- Adapts to multiple baseplates – making it the most versatile unit on the market. It will also fit on many other vendors' transformer baseplates.
- Case design has “breakout” sections at the rear and side for lead wire exit and a hood to neatly cover and protect these wires where required.



Photos for reference only. Design of igniter and base plate will depend on application.

Igniter Voltage	Dimensions in Inches							Weight
	A	B	B ₂	C	C ₂	D	E	
120V	1.6	4.5	4.1	3.5	4	2	.86	1.1 lb.
12V & 240V	1.6	4.5	-	4.0	-	2	.86	1.3 lb.



Electronic Oil Igniters

For Pressure Washers - 120V, 240V AC, 12V DC

Beckett
PARTS & ACCESSORIES

Product Sheet

Technical Specifications

	120 VAC	240 VAC	12 VDC
Rated Input:	120 VAC, 50-60 Hz	208-240 VAC, 50-60 Hz	13.5 VDC
Output Voltage:	6 kV RMS, 20 kV PEAK	6 kV RMS, 20 kV PEAK	20 kV PEAK
Output Current:	35 mA RMS	35 mA RMS	30 mA RMS
Secondary Mid-Point Ground:	Included	None	None
Ambient Operating Temperature:	-40°F to +150°F		
Storage Temperature:	-40°F to +150°F		

Igniter Kits

	Kit Part No.	Application
120V AC	51838U	Igniter Only 120V (For all A & S Models)
	51771U	Beckett A, AF, AFG, NX
	51824U	Beckett S, SF, SMG, SR, SM, CF500, CF800
	51825U	Wayne M
	51827U	Wayne E
	51836U	Wayne HS (No base plate)
120V AC	5199706U	Igniter Only 240V (For all A & S Models)
	5199701U	Beckett A, AF, AFG, NX
	5199702U	Beckett AFII
	5199707U	Beckett S, SF, SMG, SR, SM, CF500, CF800
	5199708U	Carlin 100
12V DC	51663	Ignition Control Board (ICB)
	51779U	Beckett SDC without ICB
	51778U	Beckett SDC with ICB
	7435U	Igniter Only
	51777U	Beckett ADC without ICB
	51776U	Beckett ADC with ICB
	51867U	Wayne M-DC with ICB
51868U	Wayne M-DC without ICB	

Other Kits for the Igniter

Kit Pt. No.	Application
51830U	Beckett A Housing Base Plate*
51831U	Beckett S Housing Base Plate*
51842U	Terminal Kit
51304	Gasket Kit for AFG
51833U	Wayne E Base Plate*
51829U	Wayne M Base Plate*
7006U	Cad Cell

*includes one base plate, hardware and instructions

51862U - Electronic Oil Igniter Kit



- **Lightweight**
- **Diverse:** Four igniters, assorted mounting plates and terminals allow for easy adaptation to:
Beckett (A, AF, AFG, NX, S, SF, SMG, SR, SM, CF500, CF800)
Wayne (M, E, HS, DC)

R.W. **BECKETT** CORPORATION

USA: R.W. Beckett Corporation • ph: (800)645-2876 • fax: (800)800-9802 | Canada: R.W. Beckett Canada Ltd. • ph: (800)665-6972 • fax: (519)763-5656

www.beckettcorp.com