

G234X and G334X Series

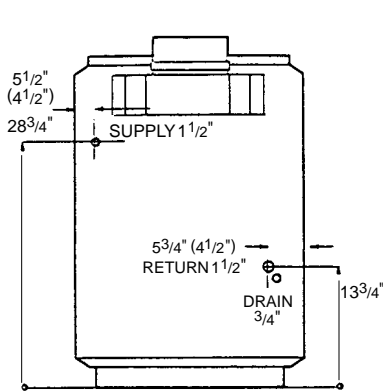


Fig. 1 Rear View

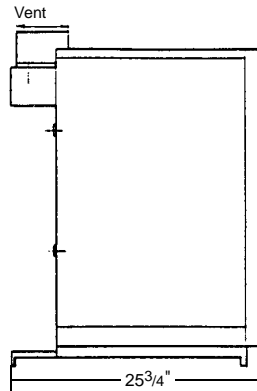


Fig. 2 Side View

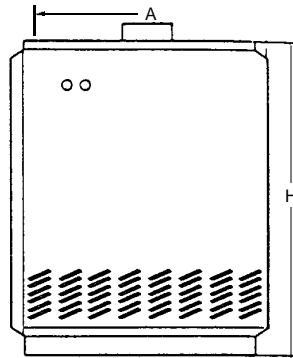


Fig. 3 Front View

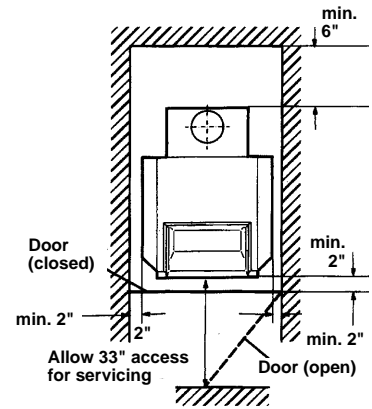


Fig. 4 Top View
(Illustrating closet installation)

Dimensions in brackets apply to G334X models. Relief valve installed on supply header.

Series		G234X				G334X			
Model		38	45	55	64	73	92	116	132
AGA Input	MBH	160	187	228	266	301	378	476	542
DOE Heating Capacity/ Gross Output	MBH	130	154	188	219	249	314	396	451
Net I-B-R Rating*	MBH	113	134	163	190	217	273	344	392
AFUE†/Combustion Eff.	%	84.3	84.1	84.8	84.3	83.5	82.9	83.8	83.2
Boiler Height H	Inches	38 1/2	38 1/2	38 1/2	38 1/2	40 3/4	40 3/4	40 3/4	40 3/4
Width A	Inches	25 3/4	25 3/4	29	32 3/4	34 3/4	41 3/4	48 3/4	56
Weight	Lbs.	487	487	562	684	758	930	1093	1265
Flue Diameter	Inches	7	7	7	8	8	9	10	10
Water Content	Gallons	6.1	6.1	7.1	8.2	9.2	11.4	13.5	15.6
Gas Connection	Inches NPT	3/4	3/4	3/4	3/4	1 1/4	1 1/4	1 1/4	1 1/4
Flow Resistance at 20°FΔT	Inches W.C.	16.1	22.1	25.3	28.9	32.1	44.1	54.2	60.2

*The Net I-B-R Ratings are based on a piping allowance of 1.15. Consult factory before selecting a boiler for installation having unusual piping and pick-up requirements such as exposed piping.

† AFUE Ratings apply only to boilers with an AGA input below 300,000 Btu/hr.