

"BA-475B"* 1/4"-4"



1/4" through 2" Only

Brass Ball Valve
Two Piece
Full Port
600 WOG (1/4" - 3") 400 WOG (4")
Threaded Ends
Blow-Out Proof Stem
MSS SP-110, ASME A112.4.14

*Not intended for use in potable water.

MATERIALS LIST

ITEM	PART	MATERIALS	ASTM SPEC.
1	Body	Brass, Forged	B283
2	Tailpiece	Brass, Forged	B283
3	Ball	CP Brass (3/8" - 1 1/4")	B283
		CP Brass, Cast (1 1/2" - 4")	B584
4	Ball Seal	PTFE	Commercial
5	Stem	Brass	B124
6	O-Ring	Buna-N	D2006
7	Thrust Washer	PTFE	Commercial
8	Gland Nut	Brass	B16
9	Packing	PTFE	Commercial
10	Handle	Zinc Plated Steel	Commercial
11	Hand Grip	Zinc Plated Steel	Commercial
****12	Body Seal	PTFE	Commercial

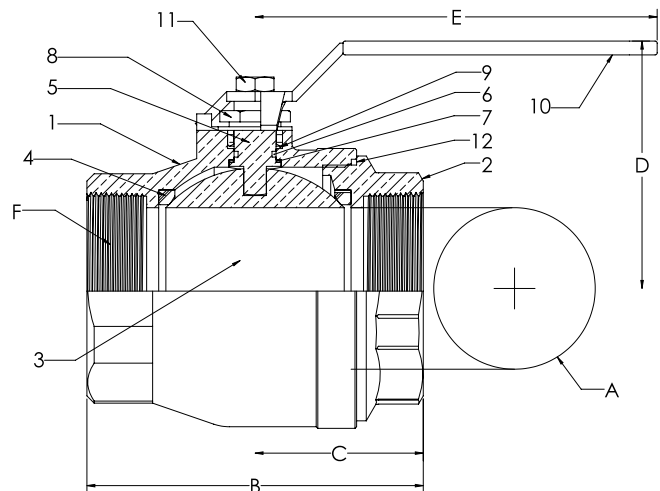
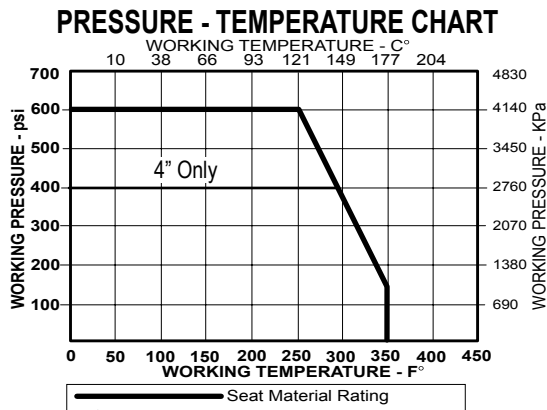
*Also Available BA-475B-LL

(Locks only in closed position)

** Not Suitable For Ammonia Service

***Not intended for use in potable water.

****4" Valve Only



DIMENSIONS

	UNITS	1/4"	3/8"	1/2"	3/4"	1"	1-1/4"	1-1/2"	2"	2-1/2"	3"	4"
		INCHES	0.39	0.39	0.51	0.76	1.00	1.26	1.50	2.00	2.48	2.95
A (DIA)	mm	10	10	13	19	25	32	38	51	63	75	100
	INCHES	1.87	1.87	2.25	2.62	3.06	3.50	3.75	4.38	5.16	6.00	8.20
B	mm	47	47	57	67	78	89	95	111	131	152	208
	INCHES	0.95	0.95	1.12	1.31	1.91	2.21	1.87	2.19	2.58	3.00	4.11
C	mm	24	24	28	33	49	56	47	56	66	76	104
	INCHES	1.42	1.42	1.46	1.93	2.10	2.33	2.52	2.96	3.94	4.37	5.93
D	mm	36	36	37	49	53	59	64	75	100	111	151
	INCHES	3.14	3.14	3.14	4.35	4.35	5.00	5.00	6.90	7.87	7.87	9.65
E	mm	80	80	80	110	110	127	127	175	200	200	245
	THREAD SIZE	1/4" NPT	3/8" NPT	1/2" NPT	3/4" NPT	1" NPT	1-1/4" NPT	1-1/2" NPT	2" NPT	2-2/1" NPT	3" NPT	4" NPT
Cv		12	12	18	40	72	112	161	287	307	323	584

The information presented on this sheet is correct at the time of publication. Milwaukee Valve reserves the right to change design, and/or material specifications without notice. For the Installation, Operation and Maintenance Manual (IOM) see the Technical/Service Information section on our website. For the most current information access www.milwaukeevalve.com

