

PRODUCT INFORMATION PACKET

FASCO®

Model No: D829
Catalog No: D829
1/4 HP OEM Replacement Motor, 825 RPM, 115 Volts, 48 Frame, Semi Enclosed
HVAC/R OEM Replacement Motors



Regal and Fasco are trademarks of Regal Beloit Corporation or one of its affiliated companies.
©2019 Regal Beloit Corporation, All Rights Reserved. MC017097E

REGAL



Nameplate Specifications

Output HP	1/4 Hp	Output KW	0.19 kW
Frequency	60 Hz	Voltage	115 V
Current	5.04 A	Speed	825 rpm
Service Factor	1	Phase	1
Duty	Continuous Air Over	Insulation Class	B
Frame	48	Enclosure	Open Air Over
Thermal Protection	Thermally Protected	Ambient Temperature	40 °C
UL	Recognized	CSA	Y
CE	N		

Technical Specifications

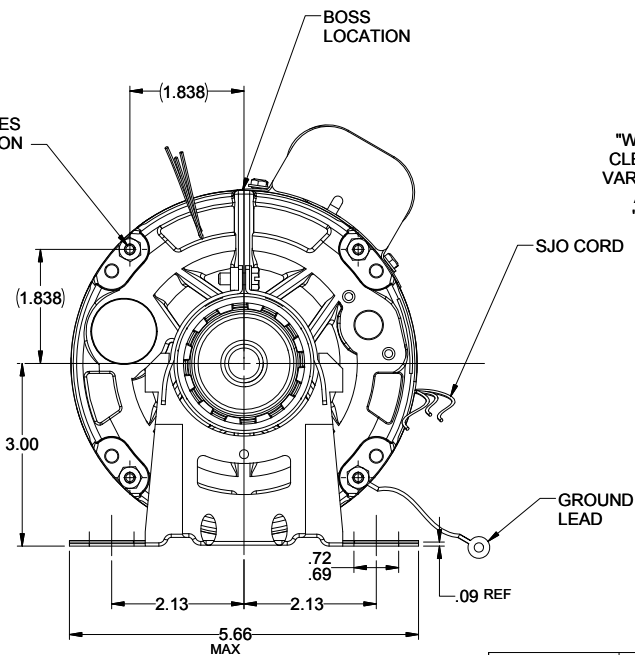
Electrical Type	Permanent Split Capacitor	Poles	8
Rotation	Reversible	Mounting	Resilient Base
Motor Orientation	Hor	Drive End Bearing	Ball
Opp Drive End Bearing	Ball	Frame Material	Rolled Steel
Shaft Type	Flat	Overall Length	7.89 in
Frame Length	4.82 in	Shaft Diameter	0.500 in
Shaft Extension	1.50 in	Thru-bolts Extension	N/R in

This is an uncontrolled document once printed or downloaded and is subject to change without notice. Date Created:29/10/2019

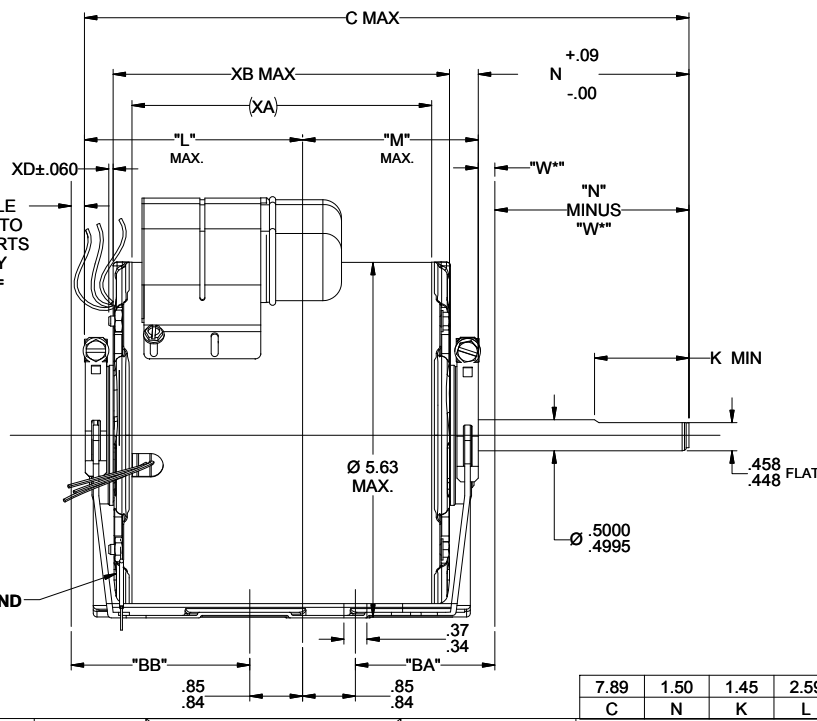
S.NO	CONNECTION	COLOR	EXIT TYPE	EXIT LOC (VIEWED LE)	GAGE	MATERIAL	WALL THK	LENGTH	TERMINATION
1	COMMON LEAD	WHITE	SHELL NOTCH	3:20	18	N/R	N/R	20.00	.50 BWS
2	REV LEAD	YELLOW	E/S VENT	11:20	18	EPDM	2/64	4.00	.25 MALE ISQC
3	HIGH SPEED LEAD	BLACK	SHELL NOTCH	3:20	18	N/R	N/R	20.00	.50 BWS
4	REV LEAD	ORANGE	E/S VENT	11:20	18	EPDM	2/64	4.00	.25 MALE ISQC
5	CAPACITOR LEAD	BRN/WHT	SHELL NOTCH	1:00	18	EPDM	2/64	4.00	.25 FLAG QC
6	REV LEAD	BROWN	E/S VENT	11:20	18	EPDM	2/64	4.00	.25 FISQC LO INS FORCE
7	N/R	RED	SHELL NOTCH	3:20	18	N/R	N/R	20.00	.50 BWS
8	REV LEAD	PURPLE	E/S VENT	11:20	18	EPDM	2/64	4.00	.25 FISQC LO INS FORCE
9	CAPACITOR LEAD	BROWN	SHELL NOTCH	1:00	18	EPDM	2/64	4.00	.25 FLAG QC
10	GROUND	GRN-YEL	CLAMP SCREW	4:30	18	THERMOPLASTIC	2/64	3.50	#10 EYELET

NAMEPLATE DATA	
MODEL	5KCP39EFBB37P
CUST P/N	STOCK NO D829
HP	1/4
RPM	825
VOLTS	115
HZ	60
* SPPEDS	1
AMPS	5.04
CAP REQD-1	6.00 μ f d / 370 Volts
CAP REQD-2	N / R
CONN DRW	NP24X350147
ROTATION	CCW/CW (VIEWED FROM LE)

#8-32 THREAD . THESE SCREWS FIT A GAGE HAVING (4) HOLES OF \varnothing .1910 LOCATED ON BASIC POSITION(5.20 REF BOLT CIRCLE DIAMETER).



"W**" IS A VARIABLE CLEARANCE DUE TO VARIATIONS IN PARTS AND ASSEMBLY "N" MINUS "W" = +.09 TO -.13



NOTE:

- 1) DIMENSIONS SHOWN ARE NOMINAL UNLESS OTHERWISE SPECIFIED.
- 2) ALL CLOCK LOCATIONS ARE WITH RESPECT TO THE WELD AT THE BOTTOM(6 O' CLOCK) AND LOOKING AT THE LEAD END.
- 3) NAME PLATE LABEL LOCATION : 315° - CENTER - READ FROM LE.

VENTILATION SYSTEM	
SHELL VENTS	CLOSED
ENDSHIELD (OPP.LEAD END)	OPEN
ENDSHIELD (LEAD END)	OPEN

DRAWING REVISION C	REVISION BY KEP	DATE 2/13/2017
ECO ECO-0118093	APPROVED BY A.NELSON	DATE 2/13/2017
ECO DESCRIPTION UPDATED NP AMPS VALUE		
<small>COPYRIGHT REGAL BELOIT AMERICA, INC. ALL RIGHTS RESERVED. PROPRIETARY AND CONFIDENTIAL INFORMATION - THIS DOCUMENT IS THE PROPERTY OF REGAL BELOIT AMERICA, INC. (OWNER) AND CONTAINS OWNER'S PROPRIETARY INFORMATION. ANY PERSON, CORPORATION OR OTHER FIRM RECEIVING IT IS DEEMED, BY RECEIVING IT, TO AGREE THAT IT, AND/OR ANY PART OF IT, SHALL NOT BE DISCLOSED TO ANY PERSON, CORPORATION OR OTHER ENTITY, DUPLICATED, AND/OR USED, EXCEPT AS EXPRESSLY APPROVED IN WRITING IN ADVANCE BY OWNER. THIS DOCUMENT SHALL BE RETURNED TO OWNER UPON REQUEST. IT MAY BE SUBJECT TO CERTAIN RESTRICTIONS UNDER APPLICABLE EXPORT CONTROL LAWS AND REGULATIONS.</small>		

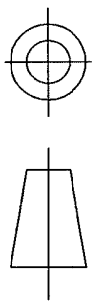
DRAWN BY RS
DATE 03/10/2011
APPROVED BY BRAMARI
DATE 03/10/2011
REFERENCE

	2.5	N/R	.14				
	BA	XC	XD				
	7.89	1.50	1.45	2.59	3.87	4.82	5.48
	C	N	K	L	M	XA	XB

Regal Beloit America, Inc.	
DESCRIPTION OUTLINE (CUSTOMER NAME: FASCO IND)	
MATERIAL	PROCESS/FINISH
THIRD ANGLE PROJECTION	SIZE B
DRAWING NUMBER 5KCP39EFBB37P	SHEET 1 OF 1

REG. PROPRIETARY AND CONFIDENTIAL INFORMATION
 This document is the property of REGAL-BELOIT CORPORATION ("REG") including its subsidiaries and affiliates and contains proprietary information of REG. It is to be controlled and used only by those employees of REG who have been authorized in writing by REG. It is to be used only for the purposes intended by REG. The appropriate use of this document is subject to the terms and conditions of the license agreement between REG and its operating subsidiaries. REG reserves the right to modify this document and its operating subsidiaries without notice. REG is not responsible for restrictions under U.S. export control laws and regulations.

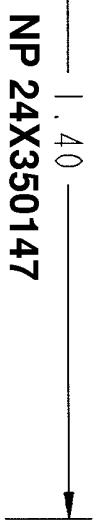
REV.	DESCRIPTION	DATE	APPROVED
0			



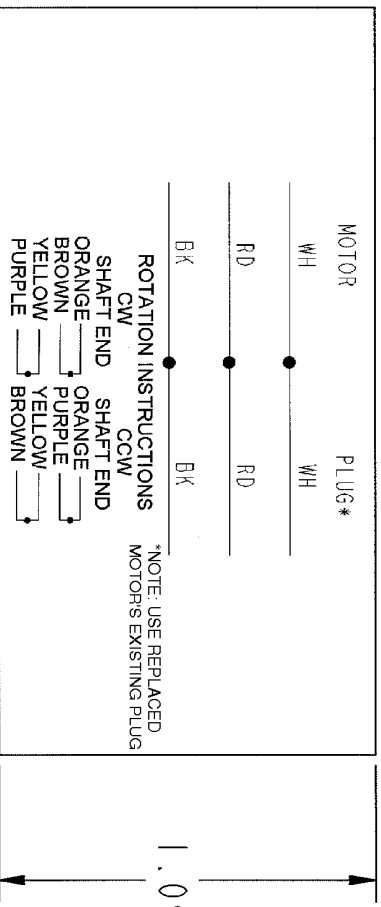
THIRD ANGLE PROJECTION

DRAWING NO. **24X350147**

SIZE **A**



NP 24X350147



*NOTE : USE REPLACED MOTOR'S EXISTING PLUG.

FOR ADDITIONAL INFO REFER TO:		SIGNATURES		DATE	
APPLIED PRACTICES		MODEL		DETAIL	
DIMENSIONS ARE IN INCHES		CHECKED		ENGRS	
TOLERANCE ON:		MFG		QUALITY	
1 PL DECIMALS ± 0.1		ISSUED		G.SHOAK	
2 PL DECIMALS ± 0.01		3/31/2011		3/31/2011	
3 PL DECIMALS ± 0.005		MATERIAL		SOLID MODEL: MODEL NAME	
ANGLES ± 0.5		FINISH		SCALE: DRAWING SCALE	
FRACTIONS ±		✓		SCALE: DRAWING SCALE	



REGAL-BELOIT CORPORATION

EXTERNAL CONNECTION DIAGRAM

FNF : 5KCP39EFBB37P

NP 24X350147

REV **0**