

# PRODUCT INFORMATION PACKET

FASCO®

Model No: D794  
Catalog No: D794  
1/5 HP Condenser Fan Motor, 825 RPM, 208-230 Volts, 48 Frame, TEAO  
Condenser Fans Motors



Regal and Fasco are trademarks of Regal Beloit Corporation or one of its affiliated companies.  
©2019 Regal Beloit Corporation, All Rights Reserved. MC017097E

REGAL



**Nameplate Specifications**

Output HP	1/5 Hp	Output KW	0.15 kW
Frequency	60 Hz	Voltage	208-230 V
Current	1.30 A	Speed	825 rpm
Service Factor	1	Phase	1
Duty	Continuous Air Over	Insulation Class	B
Frame	48	Enclosure	Totally Enclosed Air Over
Thermal Protection	Thermally Protected	Ambient Temperature	60 °C
UL	Recognized	CSA	Y
CE	N		

**Technical Specifications**

Electrical Type	Permanent Split Capacitor	Poles	8
Rotation	Reversible	Mounting	Extended Studs
Motor Orientation	Any	Drive End Bearing	Sleeve
Opp Drive End Bearing	Sleeve	Frame Material	Rolled Steel
Shaft Type	Double Flat	Overall Length	10.56 in
Frame Length	3.82 in	Shaft Diameter	0.500 in
Shaft Extension	6.00 in	Thru-bolts Extension	1.65 in

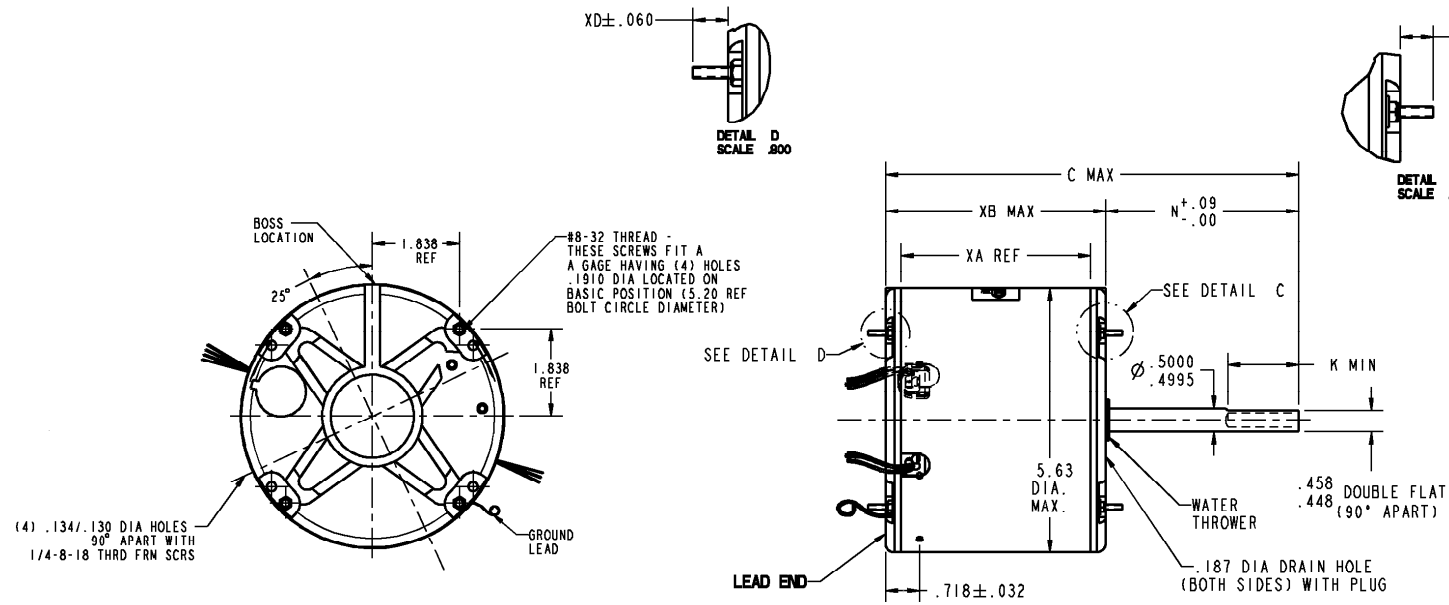
This is an uncontrolled document once printed or downloaded and is subject to change without notice. Date Created:29/10/2019

NAME: 100020344 OBJECT: 5KCP39GFAE13AS DATE: 18-May-10 12:49:23

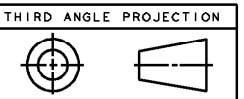
VENTILATION SYSTEM	
SHELL VENTS	CLOSED
ENDSHIELD (OPP. LEAD END)	CLOSED
ENDSHIELD (LEAD END)	CLOSED

**RBC PROPRIETARY AND CONFIDENTIAL INFORMATION**  
 This document is the property of REGAL BELOIT CORPORATION ("RBC") including its subsidiaries and divisions and contains proprietary information of RBC. This document is loaned on the express condition that neither it nor the information contained therein shall be disclosed to others without the express written consent of RBC, and that the information shall be used by the recipient only as approved expressly by RBC. This document shall be returned to RBC upon its request. This document may be subject to certain restrictions under U.S. export control laws and regulations.

REVISIONS			
REV.	DESCRIPTION	DATE	APPROVED
2	UPDATED AS PER IS:09-1455	05/13/09	PKB & AMOL
3	CHANGES MADE PER IS:10-1981	05/18/10	GLENDA



NOTE:  
 1. DIMENSIONS SHOWN ARE NOMINAL UNLESS OTHERWISE SPECIFIED.



WIRE	CONNECTION	COLOR	END TYPE	EXT. LOC. (INCHES)	GAUGE	MATERIAL	WIRE THICKNESS	LENGTH	TERMINATION
1	COMMON LEAD	WHITE	4-5 LD BUSHING	3:40	18	THERMOPLASTIC	4/64	55.00	.50 BWS
2	REV LEAD	YELLOW	2-3 LD BUSHING	9:40	18	EPDM	2/64	4.00	.25 MALE ISDC
3	CAPACITOR LEAD	BROWN	4-5 LD BUSHING	3:40	18	THERMOPLASTIC	4/64	55.00	.25 FOC
4	REV LEAD	ORANGE	2-3 LD BUSHING	9:40	18	EPDM	2/64	4.00	.25 MALE ISDC
5	CAPACITOR LEAD	BRN/WHIT	4-5 LD BUSHING	3:40	18	THERMOPLASTIC	4/64	55.00	.25 FOC
6	REV LEAD	BROWN	2-3 LD BUSHING	9:40	18	EPDM	2/64	4.00	.25 FISDC LO INS FORCE
7	HIGH SPEED LEAD	BLACK	4-5 LD BUSHING	3:40	18	THERMOPLASTIC	4/64	55.00	.50 BWS
8	REV LEAD	PURPLE	2-3 LD BUSHING	9:40	18	EPDM	2/64	4.00	.25 FISDC LO INS FOR
9	GROUND	GRN-YEL	CLAMPSCREW	4:30	18	THERMOPLASTIC	2/64	55.00	#10 SERR EYELET

NAMEPLATE DATA	
MODEL	5KCP39GFAE13AS
CLUST P/N	MODEL D794
HP	1/5
RPM	825
VOLTS	208-230
HZ	60
* SPEEDS	1
AMPS	1.30
CAP REQD-1	5.00µfd/370Volts
CAP REQD-2	N/R
CONN. GRP	NP24X327691
ROTATION	CCW/CW (VIEWED FROM LEAD END)

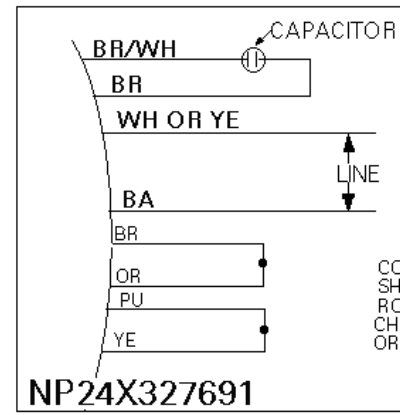
10.56	6.00	5.45	N/A	N/A	N/A	1.65	1.39
C	N	K	XN	XK	LM	XC	XD
						3.82	4.48

**REGAL BELOIT CORPORATION**  
 FORTWAYNE, INDIANA

TITLE: **MOTOR OUTLINE**  
 (CUSTOMER NAME : FASCO IND)

SIZE DRAWING: **B** **5KCP39GFAE13AS** REV **3**

SCALE: NO ISSUED: 5/13/09 SHEET 1 of 1



FILE:	DPC #
-------	-------