

PRODUCT INFORMATION PACKET

FASCO®

Model No: D793
Catalog No: D793
1/6 HP Condenser Fan Motor, 825 RPM, 208-230 Volts, 48 Frame, TEAO
Condenser Fans Motors



Regal and Fasco are trademarks of Regal Beloit Corporation or one of its affiliated companies.
©2019 Regal Beloit Corporation, All Rights Reserved. MC017097E

REGAL



Nameplate Specifications

Output HP	1/6 Hp	Output KW	0.13 kW
Frequency	60 Hz	Voltage	208-230 V
Current	1.00 A	Speed	825 rpm
Service Factor	1	Phase	1
Duty	Continuous Air Over	Insulation Class	B
Frame	48	Enclosure	Totally Enclosed Air Over
Thermal Protection	Thermally Protected	Ambient Temperature	60 °C
UL	Recognized	CSA	Y
CE	N		

Technical Specifications

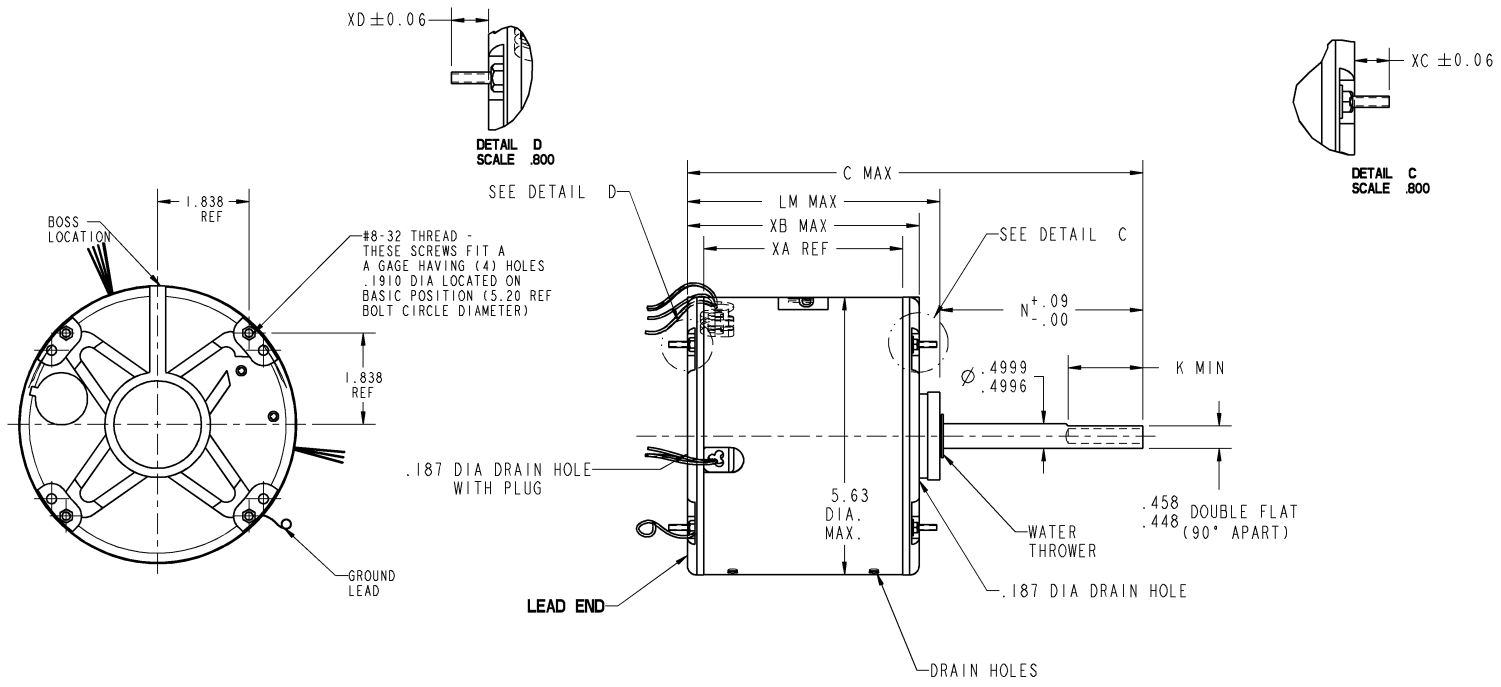
Electrical Type	Permanent Split Capacitor	Poles	8
Rotation	Reversible	Mounting	Extended Studs
Motor Orientation	Any	Drive End Bearing	Ball
Opp Drive End Bearing	Ball	Frame Material	Rolled Steel
Shaft Type	Double Flat	Overall Length	10.71 in
Frame Length	3.57 in	Shaft Diameter	0.500 in
Shaft Extension	6.00 in	Thru-bolts Extension	1.01 in

This is an uncontrolled document once printed or downloaded and is subject to change without notice. Date Created:29/10/2019

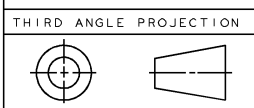
VENTILATION SYSTEM	
SHELL VENTS	CLOSED
ENDSHIELD (OPP. LEAD END)	CLOSED
ENDSHIELD (LEAD END)	CLOSED

RBC PROPRIETARY AND CONFIDENTIAL INFORMATION
 This document is the property of REGAL BELOIT CORPORATION ("RBC") including its subsidiaries and divisions and contains proprietary information of RBC. This document is loaned on the express condition that neither it nor the information contained therein shall be disclosed to others without the express written consent of RBC, and that the information shall be used by the recipient only as approved expressly by RBC. This document shall be returned to RBC upon its request. This document may be subject to certain restrictions under U.S. export control laws and regulations.

REVISIONS			
REV.	DESCRIPTION	DATE	APPROVED
3	RELEASED FOR PROD PER IS09-1158	03/26/09	AVL
4	UPDATED PER IS09-1158	04/23/09	NTOSOOR
5	REV CPN FROM MODEL NO	5/18/09	G.SHONK



NOTE:
 1. DIMENSIONS SHOWN ARE NOMINAL UNLESS OTHERWISE SPECIFIED.



SNO	CONNECTION	COLOR	EXIT TYPE	EXIT LOC (VIEWING LE)	GAGE	MATERIAL	WALL THK	LENGTH	TERMINATION
1	COMMON LEAD	WHITE	4-5 LD BUSHING	3:20	18	THERMOPLASTIC	4/64	27.00	.50 BWS
2	REV LEAD	YELLOW	2-3 LD BUSHING	11:20	18	EPDM	2/64	4.00	.25 MALE ISOC
3	CAPACITOR LEAD	BROWN	4-5 LD BUSHING	3:20	18	THERMOPLASTIC	4/64	27.00	.25 FOC
4	REV LEAD	ORANGE	2-3 LD BUSHING	11:20	18	EPDM	2/64	4.00	.25 MALE ISOC
5	CAPACITOR LEAD	BRN/WHT	4-5 LD BUSHING	3:20	18	THERMOPLASTIC	4/64	27.00	.25 FOC
6	REV LEAD	BROWN	2-3 LD BUSHING	11:20	18	EPDM	2/64	4.00	.25 FISOC LO INS FORCE
7	HIGH SPEED LEAD	BLACK	4-5 LD BUSHING	3:20	18	THERMOPLASTIC	4/64	27.00	.50 BWS
8	REV LEAD	PURPLE	2-3 LD BUSHING	11:20	18	EPDM	2/64	4.00	.25 FISOC LO INS FORCE
9	GROUND	GRN-YEL	CLAMPSCREW	4:30	18	THERMOPLASTIC	2/64	12.00	#10 SERR EYELET

NAMEPLATE DATA	
MODEL	5KCP39EFBB20S
CUST P/N	MODEL D793
HP	1/6
RPM	825
VOLTS	208-230
HZ	60
SPEEDS	1
AMPS	1.00
CAP REOD-1	5.00µfd/370Volts
CAP REOD-2	N/R
CONN. DRW*	NP24X327691
ROTATION	CCW/CW (VIEWED FROM)

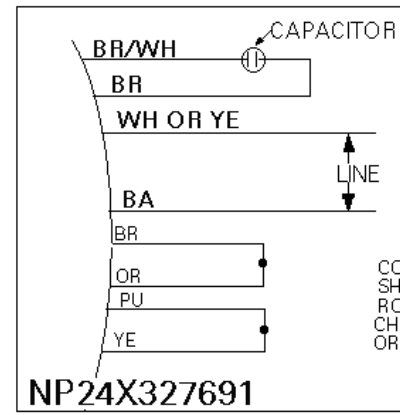
	1.01	.79							
	XC	XD							
10.71	6.00	5.00	N/A	N/A	4.64	3.57	4.23		
C	N	K	XN	XK	LM	XA	XB		

REGAL BELOIT CORPORATION
 FORTWAYNE, INDIANA

TITLE
MOTOR OUTLINE
 (CUSTOMER NAME : FASCO IND)

SCALE: NO ISSUED: 3/26/09 SHEET 1 of 1

SIZE B DRAWING 5KCP39EFBB20S REV 4



FILE:	DPC #
-------	-------