

PRODUCT INFORMATION PACKET

FASCO®

Model No: D790
Catalog No: D790
1/2 HP Condenser Fan Motor, 825 RPM, 208-230 Volts, 48 Frame, Semi Enclosed
Condenser Fans Motors



Regal and Fasco are trademarks of Regal Beloit Corporation or one of its affiliated companies.
©2019 Regal Beloit Corporation, All Rights Reserved. MC017097E

REGAL



Nameplate Specifications

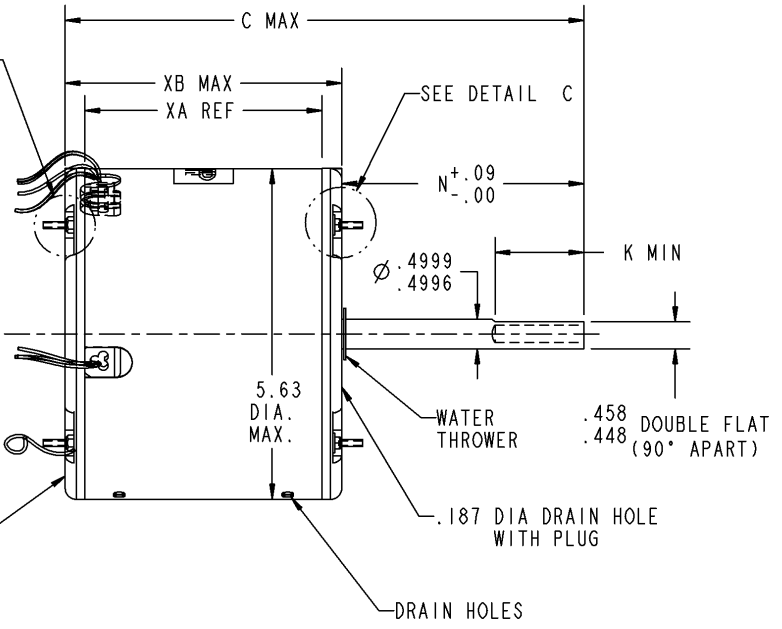
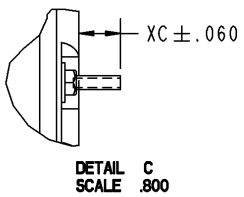
Output HP	1/2 Hp	Output KW	0.37 kW
Frequency	60 Hz	Voltage	208-230 V
Current	3.50 A	Speed	825 rpm
Service Factor	1	Phase	1
Duty	Continuous Air Over	Insulation Class	B
Frame	48	Enclosure	Open Air Over
Thermal Protection	Thermally Protected	Ambient Temperature	60 °C
UL	Recognized	CSA	Y
CE	N		

Technical Specifications

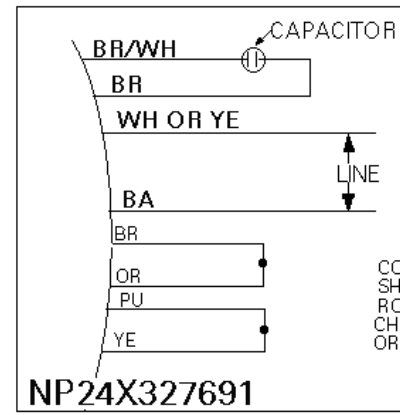
Electrical Type	Permanent Split Capacitor	Poles	8
Rotation	Reversible	Mounting	Extended Studs
Motor Orientation	Any	Drive End Bearing	Ball
Opp Drive End Bearing	Ball	Frame Material	Rolled Steel
Shaft Type	Double Flat	Overall Length	11.73 in
Frame Length	4.57 in	Shaft Diameter	0.500 in
Shaft Extension	6.42 in	Thru-bolts Extension	1.12 in

This is an uncontrolled document once printed or downloaded and is subject to change without notice. Date Created:29/10/2019

Uncontrolled Copy	SIZE	DRAWING NO.	REV	SHEET												
	B	5KCP39NFBB26S	2	1												
PROPRIETARY AND CONFIDENTIAL INFORMATION <small>ent is the property of REGAL BELOIT CORPORATION ("RBC") including parties and divisions and contains proprietary information of RBC. ent is loaned on the express condition that neither it nor the n contained therein shall be disclosed to others without the express nent of RBC, and that the information shall be used by the recipient roved expressly by RBC. This document shall be returned to RBC upon t. This document may be subject to certain restrictions under U.S. rol laws and regulations.</small>			REVISIONS <table border="1"> <thead> <tr> <th>REV.</th> <th>DESCRIPTION</th> <th>DATE</th> <th>APPROVED</th> </tr> </thead> <tbody> <tr> <td>2</td> <td>CHANGED REV LEAD LEN TO 5</td> <td>02/16/09</td> <td>AVL</td> </tr> <tr> <td> </td> <td> </td> <td> </td> <td> </td> </tr> </tbody> </table>		REV.	DESCRIPTION	DATE	APPROVED	2	CHANGED REV LEAD LEN TO 5	02/16/09	AVL				
REV.	DESCRIPTION	DATE	APPROVED													
2	CHANGED REV LEAD LEN TO 5	02/16/09	AVL													



1.12	.84
XC	XD



FILE:	DPC #
-------	-------