

PRODUCT INFORMATION PACKET

FASCO®

Model No: D2851

Catalog No: D2851

1-3/4 HP OEM Replacement Motor, 1125/950 RPM, 1 Speed, 208-230/460 Volts, 48 Frame, Semi Enclosed
HVAC/R OEM Replacement Motors



Regal and Fasco are trademarks of Regal Beloit Corporation or one of its affiliated companies.
©2019 Regal Beloit Corporation, All Rights Reserved. MC017097E

REGAL



Nameplate Specifications

Output HP	1-3/4 Hp	Output KW	0.75 kW
Frequency	60 Hz	Voltage	208-230/460 V
Current	3.95/2.10 A	Speed	1125/950 rpm
Service Factor	1	Phase	1
Duty	Continuous Air Over	Insulation Class	B
Frame	48	Enclosure	Open Air Over
Thermal Protection	Thermally Protected	Ambient Temperature	65 °C
UL	Recognized	CSA	Y
CE	N		

Technical Specifications

Electrical Type	Permanent Split Capacitor	Poles	6
Rotation	Counterclockwise	Mounting	Lug
Motor Orientation	Hor	Drive End Bearing	Ball
Opp Drive End Bearing	Ball	Frame Material	Rolled Steel
Shaft Type	Keyed	Overall Length	10.46 in
Frame Length	6.07 in	Shaft Diameter	0.620 in
Shaft Extension	3.25 in	Thru-bolts Extension	N/R in

This is an uncontrolled document once printed or downloaded and is subject to change without notice. Date Created:29/10/2019

4

3

2

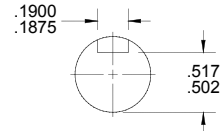
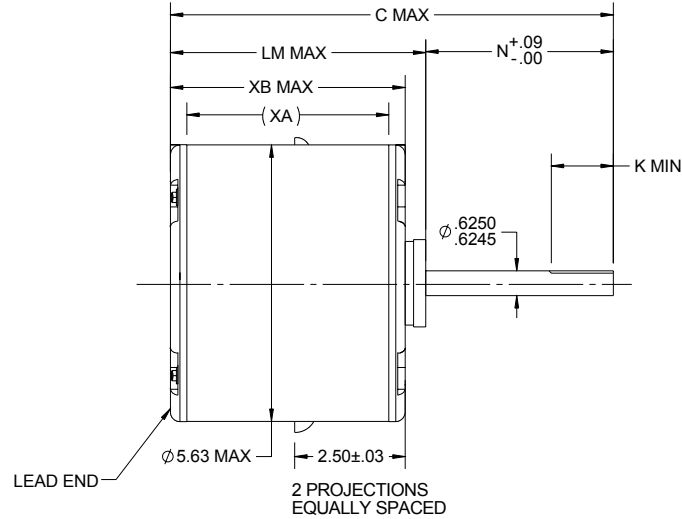
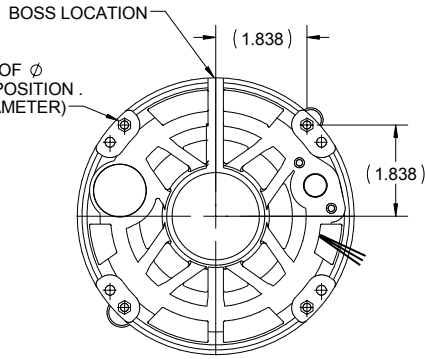
1

S.NO	CONNECTION	COLOR	EXIT TYPE	EXIT LOC (VIEWING LE)	GAGE	MATERIAL	WALL THK.	LENGTH	TERMINATION	NAMEPLATE DATA	
										MODEL	5KCP39UFWD73S
1	COMMON LEAD	PURPLE	E/S LEAD HOLE	3:20	18	VULKENE	2/64	97.00	.25 SQC	CUST. P/N	D2851
2	CAPACITOR LEAD	BROWN	E/S LEAD HOLE	3:20	18	VULKENE	2/64	97.00	.25 SQC	HP	1-3/4
3	DUAL VOLTAGE LEAD	BLUE	E/S LEAD HOLE	3:20	18	VULKENE	2/64	97.00	.25 SQC	RPM	1125/950
4	DUAL VOLTAGE LEAD	BLACK	E/S LEAD HOLE	3:20	18	VULKENE	2/64	97.00	.25 SQC	VOLTS	208-230/460
5	DUAL VOLTAGE LEAD	RED	E/S LEAD HOLE	3:20	18	VULKENE	2/64	97.00	.25 SQC	HZ	60/50
6	DUAL VOLTAGE LEAD	ORANGE	E/S LEAD HOLE	3:20	18	VULKENE	2/64	97.00	.25 SQC	SPEEDS	1
										AMPS	3.95/2.10
										CAP. REQ'D-D1	25.0 µfd/370 Volts
										CAP. REQ'D-D2	N/R
										CONN.DRW#	NP24X350275
										ROTATION	CCW (VIEWED FROM LE)

B

B

#8-32 THREAD.
THESE SCREWS FIT A
GUAGE HAVING (4) HOLES OF ϕ
.1910 LOCATED ON BASIC POSITION.
(5.20 REF BOLT CIRCLE DIAMETER)



NOTE:

- 1) DIMENSIONS SHOWN ARE NOMINAL UNLESS OTHERWISE SPECIFIED.
- 2) NAME PLATE LABEL LOCATION : 90° -NEAR OPP LEAD END - READ FROM LE.

A

A

DRAWING REVISION F		REVISION BY SN	DATE 08/27/2015	TOLERANCES UNLESS OTHERWISE SPECIFIED:		DRAWN BY MVG	Regal Beloit America, Inc.
ECO-0084148		APPROVED BY KEP	DATE 08/27/2015	DEC. INCH mm ANGLE	-X ±0.1 [+2.5] ±7-30°	DATE 07/17/2014	
ECO DESCRIPTION		UPDATED AS PER ECO-0084148		XX ±0.03 [+0.76]	XXX ±0.005 [+0.127]	APPROVED BY MVN	DESCRIPTION
VENTILATION SYSTEM		COPYRIGHT REGAL BELOIT AMERICA, INC. ALL RIGHTS RESERVED. PROPRIETARY AND CONFIDENTIAL INFORMATION - THIS DOCUMENT IS THE PROPERTY OF REGAL BELOIT AMERICA, INC. (OWNER) AND CONTAINS OWNER'S PROPRIETARY INFORMATION. ANY PERSON, CORPORATION OR OTHER FIRM RECEIVING IT IS DEEMED, BY RECEIVING IT, TO AGREE THAT IT, AND/OR ANY PART OF IT, SHALL NOT BE DISCLOSED TO ANY PERSON, CORPORATION OR OTHER ENTITY, DUPLICATED, AND/OR USED, EXCEPT AS EXPRESSLY APPROVED IN WRITING IN ADVANCE BY OWNER. THIS DOCUMENT SHALL BE RETURNED TO OWNER UPON REQUEST. IT MAY BE SUBJECT TO CERTAIN RESTRICTIONS UNDER APPLICABLE EXPORT CONTROL LAWS AND REGULATIONS.		REMOVE BURRS & BREAK SHARP EDGES: .003/.015 [.076/.381]	CORNER FILLETS: .02 [.51]	DATE 07/17/2014	OUTLINE (CUSTOMER NAME : FASCO IND)
SHELL VENTS	CLOSED			MACHINED SURFACES: 200 INCH mm 5.1	THIRD ANGLE PROJECTION	REFERENCE	MATERIAL
ENDSHIELD (OPP.LEAD END)	OPEN						PROCESS/FINISH
ENDSHIELD (LEAD END)	OPEN						SIZE
							DRAWING NUMBER
							5KCP39UFWD73S
							SHEET
							1 OF 1

4

3

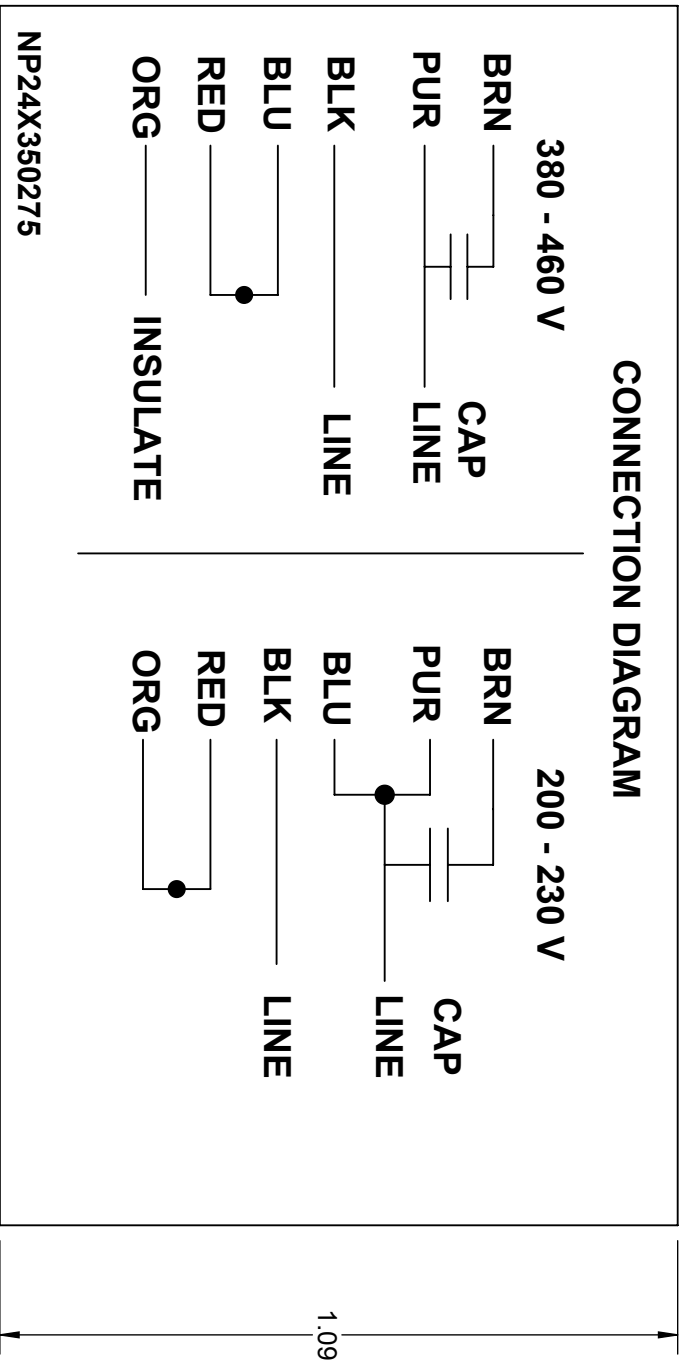
2

1

COPYRIGHT REGAL BELOIT AMERICA, INC. ALL RIGHTS RESERVED.
 PROPRIETARY AND CONFIDENTIAL INFORMATION - THIS DOCUMENT IS THE PROPERTY OF
 REGAL BELOIT AMERICA, INC. ("OWNER") AND CONTAINS OWNER'S PROPRIETARY
 INFORMATION. ANY PERSON, CORPORATION OR OTHER FIRM RECEIVING IT IS DEEMED,
 BY RECEIVING IT, TO AGREE THAT IT, AND/OR ANY PART OF IT, SHALL NOT BE DISCLOSED
 TO ANY PERSON, CORPORATION OR OTHER ENTITY, DUPLICATED, AND/OR USED, EXCEPT
 AS EXPRESSLY APPROVED IN WRITING IN ADVANCE BY OWNER. THIS DOCUMENT SHALL
 BE RETURNED TO OWNER UPON REQUEST. IT MAY BE SUBJECT TO CERTAIN
 RESTRICTIONS UNDER APPLICABLE EXPORT CONTROL LAWS AND REGULATIONS.

DRAWING REVISION	REVISION BY	DATE
A	SB	1/12/2014
ECO-0045207	APPROVED BY SKK	DATE 1/12/2014
ECO DESCRIPTION NEW CONNECTION DRAWING		

1.40 MAX.



NOTES:

1. TYPE FACE: COLORS OR NUMBERS DENOTING LEAD IDENTIFICATION AND N.P. NUMBER ARE TO BE 18 POINT NEWS GOTHIC CONDENSED. OTHER INFORMATION SHOULD BE 18 POINT IF SPACE ALLOWS, OTHERWISE USE 14 POINT.
2. MATERIALS: 4 MIL WHITE VINYL ADHESIVE STOCK RBC SPEC A50FG41-S1 BLACK INK RBC SPEC A50FM48
3. THE BOX LINES AND DIMENSIONS REPRESENT THE SIZE OF THE TAPE TO BE USED. DO NOT INCLUDE THESE IN STAMP FORMAT.

<p>DRAWN BY SB</p> <p>DATE 1/12/2014</p> <p>APPROVED BY SSK</p> <p>DATE 1/12/2014</p> <p>PROCESS/FINISH</p>	<div style="text-align: center;"> <p>Regal Beloit America, Inc.</p> </div> <p style="text-align: center; font-weight: bold;">CONN DIAGRAM-NAMEPLATE</p> <p style="text-align: center; font-size: small;">SEE NOTE - 2</p>
<p>THIRD ANGLE PROJECTION</p>	<p>SIZE A</p> <p>DRAWING NUMBER NP24X350275</p> <p>SHEET 1 OF 1</p>