

# PRODUCT INFORMATION PACKET

FASCO®

Model No: D260  
Catalog No: D260  
1/6 HP OEM Replacement Motor, 1075 RPM, 115 Volts, 42 Frame, TEAO  
HVAC/R OEM Replacement Motors



Regal and Fasco are trademarks of Regal Beloit Corporation or one of its affiliated companies.  
©2019 Regal Beloit Corporation, All Rights Reserved. MC017097E

REGAL



**Nameplate Specifications**

Output HP	1/6 Hp	Output KW	0.13 kW
Frequency	60 Hz	Voltage	115 V
Current	2.9 A	Speed	1075 rpm
Service Factor	1	Phase	1
Duty	Continuous	Insulation Class	B
Frame	42	Enclosure	Totally Enclosed
Thermal Protection	Automatic	Ambient Temperature	40 °C
UL	Recognized	CSA	Y
CE	N		

**Technical Specifications**

Electrical Type	Permanent Split Capacitor	Starting Method	Across The Line
Poles	6	Rotation	Clockwise Shaft End
Mounting	Resilient Rings	Drive End Bearing	Sleeve
Opp Drive End Bearing	Sleeve	Frame Material	Na
Shaft Type	Flat	Overall Length	8.04 in
Shaft Diameter	0.500 in	Shaft Extension	3 in

This is an uncontrolled document once printed or downloaded and is subject to change without notice. Date Created:29/10/2019

- NOTES
1. THRU AIR SPACING BETWEEN WIRE AND METAL .094 MIN.
  2. TIE BOLT TORQUE TOLERANCE 7 - 12 IN. LBS.
  3. FOR WASHER SET-UP, SEE CHART C600 0279, DETAIL "H".
  4. SALES TO SPECIFY ON P.O. WHICH PACK TO USE.

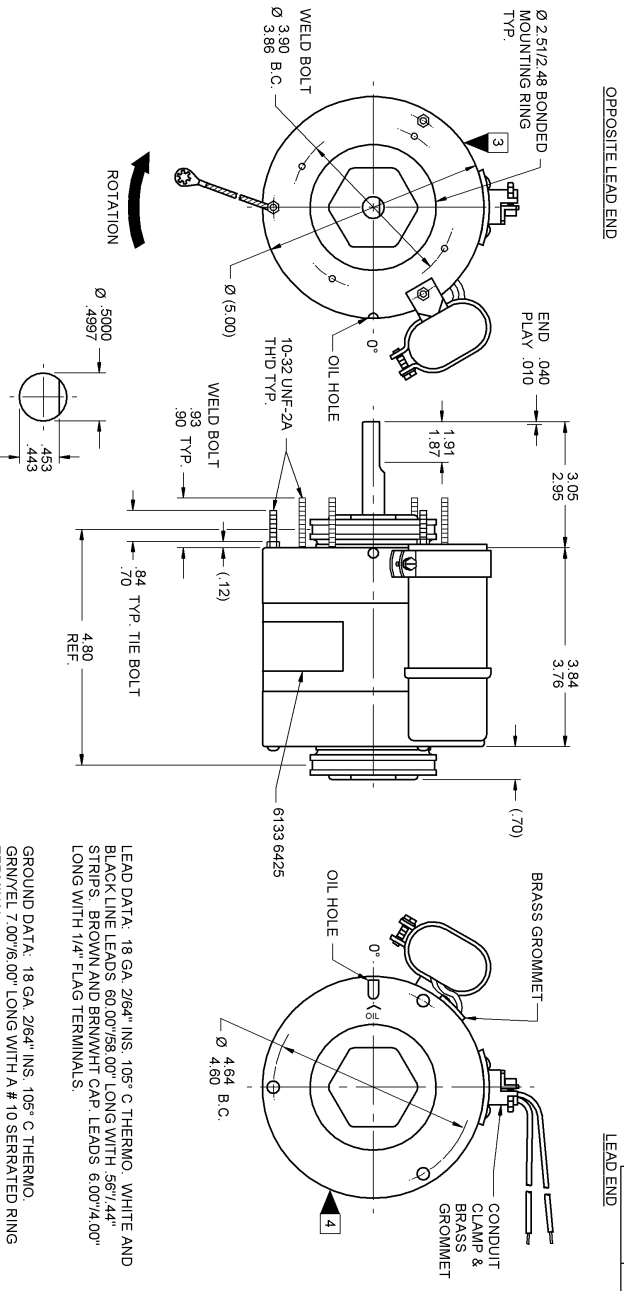
ECO	REV.	DATE	SPEC/CHECK
639192	5	3-11-09	MKR/MKR
641682	6	10-19-10	MKR/MKR
628285	3	4-17-01	LDC/RWS
631861	4	10-2-03	LDC/LDC

- A. SEE PACKAGING MANUAL PAGE 2 FOR PACKAGING PROCEDURE:
- 1 MOTOR/CARTON;
  - 24 MOTOR/SILAYER;
  - 7 LAYERS/PALLET;
  - 168 MOTORSPALLET.
- B. SEE DRAWING 8785 6079 SH. 8 FOR PALLET LAYOUT.
- C. CENTER LABEL, 6119 0820, ON END OF CARTON.
- D. PLACE PAMPHLET, 6122 4579, IN CARTON WITH MOTOR.

71xx xxxx,R

71xx xxxxC

PRODUCTION TEST AT IDLE		MOTOR SPEED		PERFORMANCE TEST		115 VOLTS 60 HZ		1 PH 1/6 HP		CAP. 4 MFD 370 VAC		BREAK	
AMP	WATT	RPM	AMP	WATT	AMP	WATT	AMP	WATT	AMP	WATT	AMP	WATT	OZ/IN
1.16	.95	74.8	1.05	68	177	1075	2.52	247	4.3	4.63	4.20	197	
HI-POT TEST 2000 VOLTS													
MAX LEAKAGE CURRENT 5 mA													
LEAD END													
7186 0026 MA													



SPECIAL INSTRUCTIONS: SHAFT IS BONDZERIZED. PAMPHLET PACKED WITH MOTOR.

7186 0026 = MADE IN U.S.A.  
7186 0026R = ASSEMBLED IN MEXICO

**FASCO** FASCO INDUSTRIES, INC. MOTOR DIVISION

MODEL D260

DATE/REV: 6133 6425 R REV. 4

SALES TO SPECIFY ON P.O. WHICH PACK TO USE.

MOTORS PACKED MAX PER SKID: 168 CARTON PACK

CUSTOMER: FASCO DISTRIBUTING CO.

PART NUMBER: D260

APPLICATION: DIST. SALES

FINISH COLOR: GRAY

MOTOR WEIGHT: 9.50 LBS.

ENVIRONMENT: DRY

INSULATION CLASS: B

MOTOR TYPE: P.S.C.

MOTOR NUMBER/REV: 7186 0026 6