

PRODUCT INFORMATION PACKET

FASCO®

Model No: D210
Catalog No: D210
1/25 HP Fan & Blower Motor, 3000 RPM, 115 Volts, 3.3" Diameter, Semi Enclosed
Self Cooled Motors



Regal and Fasco are trademarks of Regal Beloit Corporation or one of its affiliated companies.
©2019 Regal Beloit Corporation, All Rights Reserved. MC017097E

REGAL



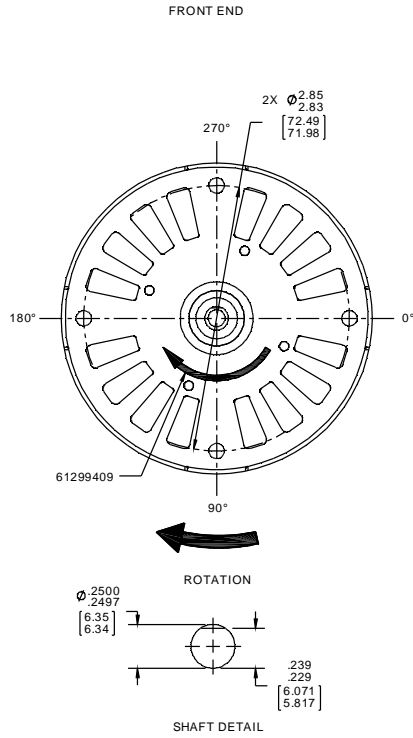
Nameplate Specifications

Output HP	1/25 Hp	Output KW	0.03 kW
Frequency	60 Hz	Voltage	115 V
Current	1.3 A	Speed	3000 rpm
Service Factor	1	Phase	1
Duty	Air Over	Insulation Class	B
Frame	3.3	Enclosure	Open Air Over
Thermal Protection	Thermally Protected	Ambient Temperature	40 °C
UL	Recognized	CSA	Y
CE	N		

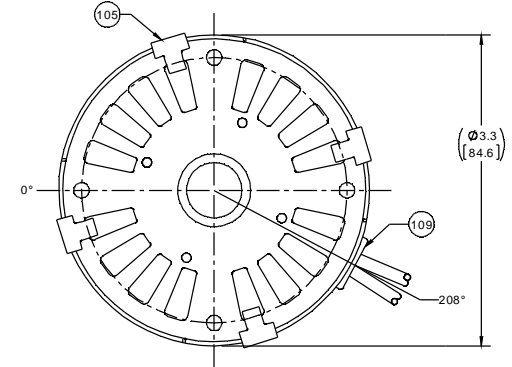
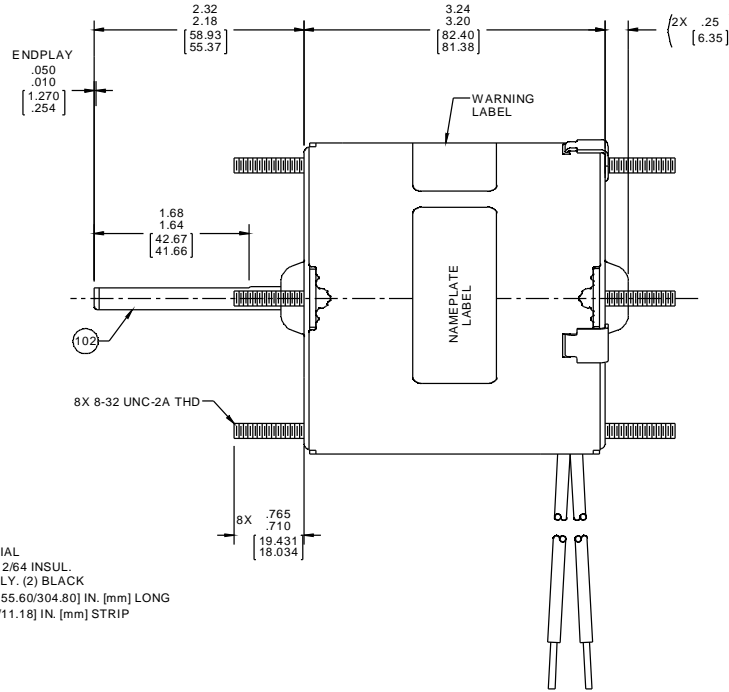
Technical Specifications

Electrical Type	Shaded Pole	Starting Method	Across The Line
Poles	4	Rotation	Clockwise Shaft End
Mounting	Extended Studs	Drive End Bearing	Sleeve
Opp Drive End Bearing	Sleeve	Frame Material	Rolled Steel
Shaft Type	Flat	Overall Length	5.81 in
Frame Length	3.13 in	Shaft Diameter	0.250 in
Shaft Extension	2.50 in		

This is an uncontrolled document once printed or downloaded and is subject to change without notice. Date Created:29/10/2019



LEAD MATERIAL
 18 GA. 125°C 2/64 INSUL.
 X-LINKED POLY. (2) BLACK
 14.00/12.00 [355.60/304.80] IN. [mm] LONG
 .56/.44 [14.22/11.18] IN. [mm] STRIP



NOTES:
 1. NO PACKAGING TAPE OVER CARTON LABEL.

SAFETY WARNING
 This motor must be grounded in accordance with local or national electrical codes to prevent possible injury due to electrical shock

AVERTISSEMENT DE SECURITE
 Ce moteur doit être fondé sur conformément à la réglementation locale ou nationale électrique - codes pour prévenir d'éventuelles blessures en raison de choc électrique

00464071

FASCO Fasco Industries, Inc.
 Motor Division

Assembled In Mexico

No. 71211578 TYPE U21 T.P. AO
 115 V 60 Hz
 1.3 A 3000 RPM 1/25 HP
 Model D210 Max Amb: 40°C
 LR36496

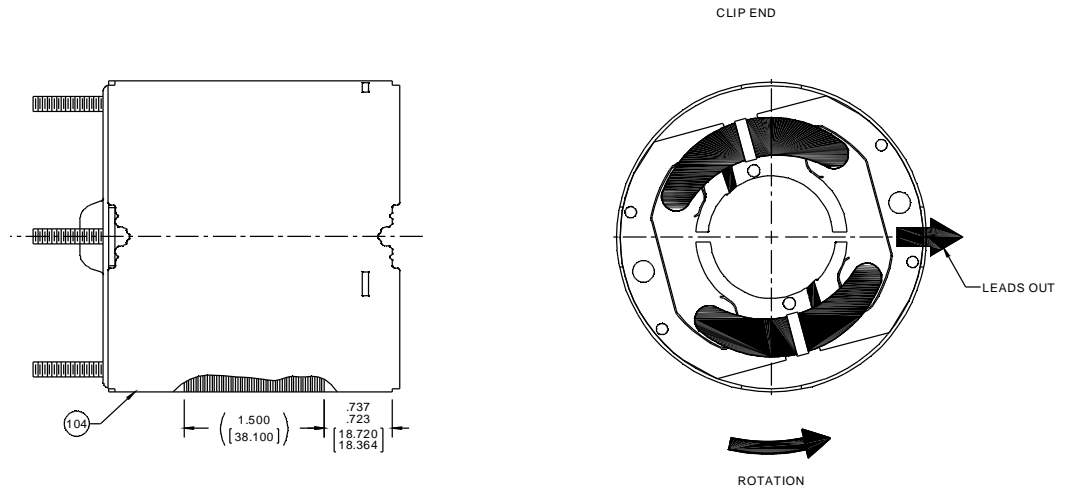
CUSTOMER:	FASCO DIST.	APPLICATION:	COUNTER SALES						
CUSTOMER PN:	D210	MOTOR WEIGHT:	3 1/4 LBS.						
	UP	ENVIRONMENT:	DRY						
HORIZONTAL	MOTOR TYPE		REFERENCE SAMPLE						
	SHADED POLE								
	B	LA	FR						
	00	21	30						
	A	S	C						
	06	0A	5						
	B	1	0						
TYPICAL PERFORMANCE AT 120 VOLTS 60 HZ									
MOTOR SPEED	IDLE			LOADED			LOCKED		BREAK
	RPM	AMP	WATT	IN OZ	RPM	AMP	WATT	IN OZ	WATT
3500	1.22	76	14.0	3050	1.38	106	5.6	1.83	138
									15

DRAWING REVISION	REVISION BY	PLA	DATE	TOLERANCES UNLESS OTHERWISE SPECIFIED:	DRAWN BY	PLA	DATE	DATE	DATE	DATE
ECO-0071078	APPROVED BY	JMG	2/26/2015	DEC. INCH. .010 ANGLE 20.5°	PLA	2/26/2015	2/26/2015	2/26/2015	2/26/2015	2/26/2015
ECO DESCRIPTION				XXX ±0.01 [±0.25]	APPROVED BY	JMG	DESCRIPTION			
REDRAWN ON SW & UPDATED IDLE AMPS, WATTS				XXX ±0.005 [±0.127]	MOTOR ASSY					
COPYRIGHT REGAL BELOIT AMERICA, INC. ALL RIGHTS RESERVED.				XXXX ±0.0005 [±0.0127]	DATE	MATERIAL				
PROPERTY AND CONFIDENTIAL INFORMATION. THIS DOCUMENT IS THE PROPERTY OF REGAL BELOIT AMERICA, INC. (OWNER) AND CONTAINS OWNER'S PROPRIETARY INFORMATION. ANY PERSON, CORPORATION OR OTHER FIRM RECEIVING IT IS DEEMED BY RECEIVING IT TO AGREE THAT IT AND/OR ANY PART OF IT SHALL NOT BE DISCLOSED TO ANY PERSON, CORPORATION OR OTHER ENTITY WITHOUT THE WRITTEN CONSENT OF REGAL BELOIT AMERICA, INC. (OWNER). THIS DOCUMENT SHALL BE RETURNED TO OWNER UPON REQUEST. IT MAY BE SUBJECT TO CERTAIN RESTRICTIONS UNDER APPLICABLE EXPORT CONTROL LAWS AND REGULATIONS.				REMOVE BURRS & BREAK SHARP EDGES: .0031 [0.0762] X 45°	REFERENCE	PROCESS/FINISH				
				CORNER FILLETS: R.02 [5.1]	THIRD ANGLE PROJECTION	BLACK				
				MACHINED SURFACES: .125 INCH V 3.2 mm SHOWN IN [BRACKETS]	SIZE	DRAWING NUMBER				
					71211578					
					SHEET 1 OF 2					

ORACLE PART REV. 041

NOTES:

1. ALL SPACINGS THRU AIR BETWEEN WIRE AND METAL MUST BE AT LEAST: .063 [1.600].
2. SEE ROTOR AND SHAFT DRAWING FOR WASHER SETUP.



PACKING SPECIFICATIONS

1. PACK 1 PER CONTAINER, 270 MAX. PER PALLET. PACKING ASSY. 87854000, 45 CONTAINERS PER LAYER, 6 LAYERS PER PALLET, P.S. 88834200 AND P.S. 88834408.
2. PLACE PC 136 FILLER TUBE OVER SHAFT END OF MOTOR. PACK MOTOR WITH LEADS DOWN.
3. CARTON LABELS MUST ALL FACE ONE DIRECTION TOWARD THE OPEN END OF THE PALLET. SEE P.S. 88834408.

DRAWING REVISION 8 B		REVISION BY P.L.A.	DATE 2/26/2015	TOLERANCES UNLESS OTHERWISE SPECIFIED:		DRAWN BY P.L.A.		Regal Beloit America, Inc.	
ECO-0071078		APPROVED BY J.M.G.	DATE 2/26/2015	DEC.	INCH.	MM.	ANGLE	DATE 2/26/2015	DESCRIPTION MOTOR ASSY
ECO DESCRIPTION REDRAWN ON SW & UPDATED IDLE AMPS, WATTS				.X	±0.1	[±2.5]	20.5°	APPROVED BY J.M.G.	
COPYRIGHT REGAL BELOIT AMERICA, INC. ALL RIGHTS RESERVED. PROPRIETARY AND CONFIDENTIAL INFORMATION: THIS DOCUMENT IS THE PROPERTY OF REGAL BELOIT AMERICA, INC. (OWNER) AND CONTAINS OWNER'S PROPRIETARY INFORMATION. ANY PERSON, CORPORATION OR OTHER FIRM RECEIVING IT IS DEEMED BY RECEIVING IT TO AGREE THAT IT AND/OR ANY PART OF IT SHALL NOT BE DISCLOSED TO ANY PERSON, CORPORATION OR OTHER ENTITY OUTSIDE OF REGAL BELOIT AMERICA, INC. WITHOUT THE EXPRESS APPROVAL IN WRITING IN ADVANCE BY OWNER. THIS DOCUMENT SHALL BE RETURNED TO OWNER UPON REQUEST. IT MAY BE SUBJECT TO CERTAIN RESTRICTIONS UNDER APPLICABLE EXPORT CONTROL LAWS AND REGULATIONS.				.XX	±0.01	[±0.25]		DATE 2/26/2015	MATERIAL
				.XXX	±0.005	[±0.127]		REFERENCE	PROCESS/FINISH BLACK
				.XXXX	±0.0005	[±0.0127]		THIRD ANGLE PROJECTION	SIZE C
				REMOVE BURRS & BREAK SHARP EDGES: .0031[0.15] (076/.381) X 45°				DRAWING NUMBER 71211578	SHEET 2 OF 2
				CORNER FILLETS: R.02 [5.1]					
				MACHINED SURFACES: 125					
				mm SHOWN IN [BRACKETS]					