

# PRODUCT INFORMATION PACKET

FASCO®

Model No: D208  
Catalog No: D208  
1/30 HP Fan & Blower Motor, 3000 RPM, 115 Volts, 3.3" Diameter, Semi Enclosed  
Self Cooled Motors



Regal and Fasco are trademarks of Regal Beloit Corporation or one of its affiliated companies.  
©2019 Regal Beloit Corporation, All Rights Reserved. MC017097E

REGAL



**Nameplate Specifications**

Output HP	1/30 Hp	Output KW	0.02 kW
Frequency	60 Hz	Voltage	115 V
Current	1.1 A	Speed	3000 rpm
Service Factor	1	Phase	1
Duty	Air Over	Insulation Class	B
Frame	3.3	Enclosure	Open Air Over
Thermal Protection	Thermally Protected	Ambient Temperature	40 °C
UL	Recognized	CSA	Y
CE	N		

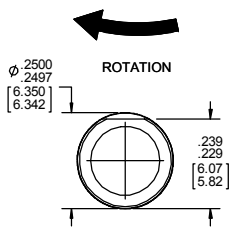
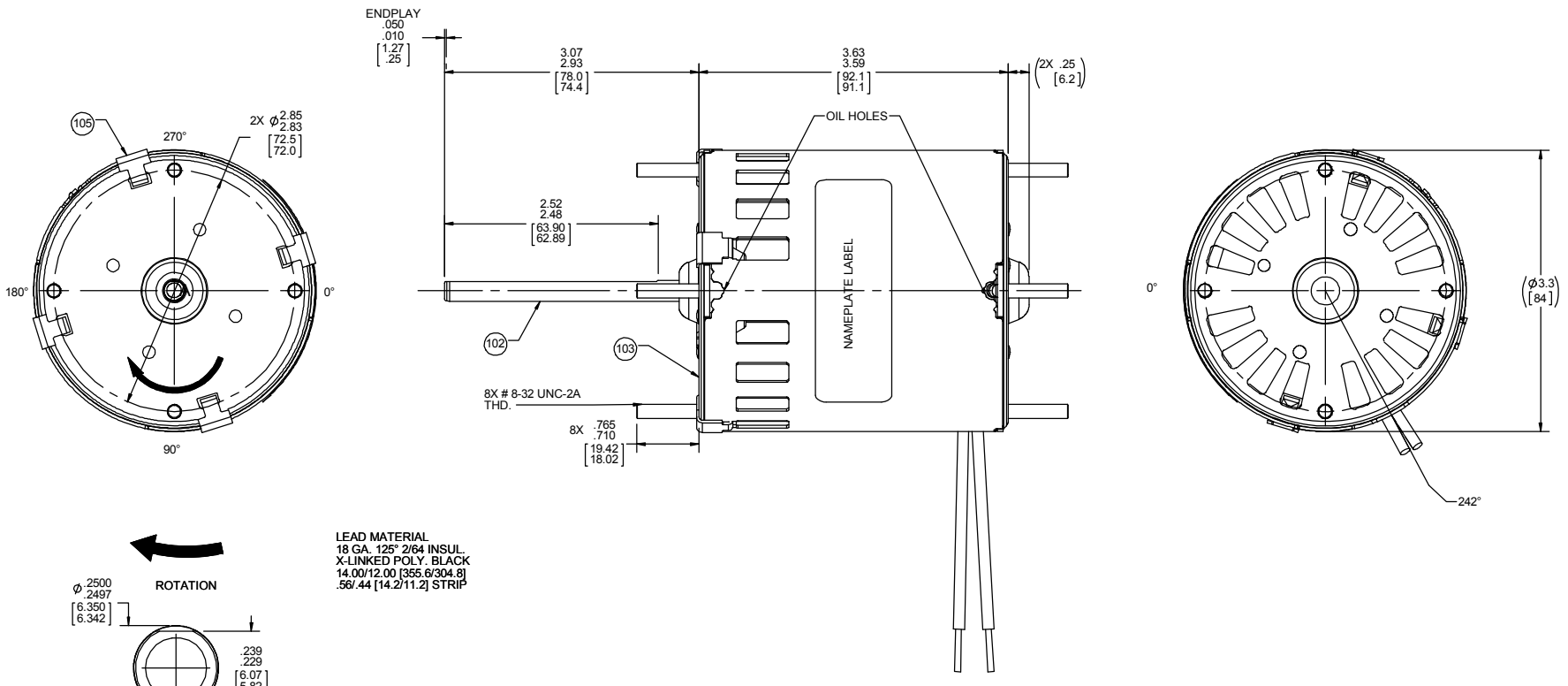
**Technical Specifications**

Electrical Type	Shaded Pole	Starting Method	Across The Line
Poles	2	Rotation	Clockwise Shaft End
Mounting	Extended Studs	Drive End Bearing	Sleeve
Opp Drive End Bearing	Sleeve	Frame Material	Steel
Shaft Type	Flat	Overall Length	6.95 in
Frame Length	3.40 in	Shaft Diameter	0.250 in
Shaft Extension	3.00 in		

This is an uncontrolled document once printed or downloaded and is subject to change without notice. Date Created:29/10/2019

FRONT END

BACK END



LEAD MATERIAL  
18 GA. 125° 2/64 INSUL.  
X-LINKED POLY. BLACK  
14.00/12.00 [355.6/304.8]  
.56/.44 [14.2/11.2] STRIP

00464071

**FASCO** Fasco Industries, Inc.  
Motor Division

Assembled In Mexico  
No. 71211695 TYPE U21 T.P. AO  
115 V 60 Hz  
1.12 A 3000 RPM 1/30 HP  
Model D208 Max Amb: 40° C  
LR36496

61299553

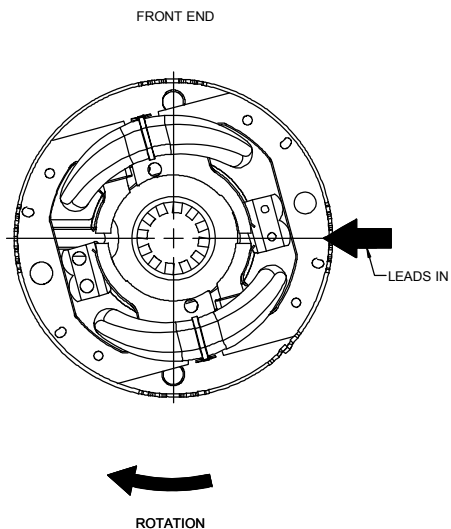
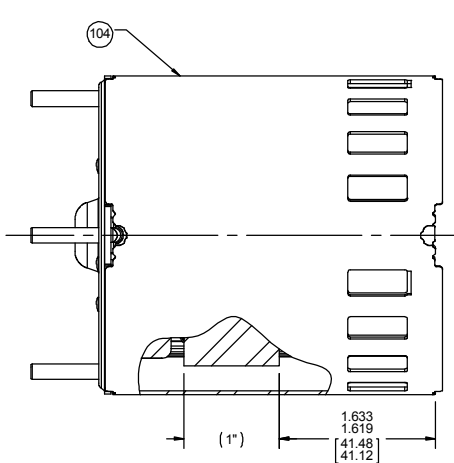
NOTES:  
1. NO PACKAGING TAPE OVER CARTON LABEL.

CUSTOMER:	FASCO DIST.	APPLICATION:	COUNTER SALES
CUSTOMER PN:	D208	MOTOR WEIGHT:	2.8 LBS
		ENVIRONMENT:	DRY
MOTOR TYPE		REFERENCE SAMPLE	
SHADED POLE			
B	LA	FR	A
00	21	30	F
			04
			OC
			5
			1
			0
TYPICAL PERFORMANCE AT 115 VOLTS 60 HZ			
IDLE		LOADED	
		LOCKED	
		BREAK	
MOTOR SPEED	RPM	AMP	WATT
	3450	1.09	69
			10
			3050
			1.2
			92
			4.5
			1.52
			122
			14

DRAWING REVISION	REVISION BY	REV DATE	DATE	TOLERANCES (EXCEPT AS NOTED)	DRAWN BY	DATE
AA	ZF	05-22-2019	05-22-2019	DEC INCH MIL ANGLE X ±0.1 (E3) 11° .XX ±0.01 (±0.3) .XXX ±0.005 (±0.13) .XXX ±0.005 (±0.13) CORNER FILLETS: R.02 [.5] MACHINED SURFACES: .125/ 3/2 INCR/ mm mm DIMENSIONS IN [BRACKETS] ARE FOR REFERENCE ONLY	ZF	5-22-2019
ECO-0167562	APPROVED BY	DATE	05-22-2019	REMOVE BURRS & BREAK SHARP EDGES: .003/.015 [08/38] X 45°	APPROVED BY	DATE
ECO DESCRIPTION	ML S			REDRAWN IN SOLIDWORKS	ML S	05-22-2019
				REGAL BELTO AMERICA, INC. ALL RIGHTS RESERVED. PROPRIETARY AND CONFIDENTIAL INFORMATION. THIS DOCUMENT IS THE PROPERTY OF REGAL BELTO AMERICA, INC. FORMERLY AND CONTAINING OWNERS PROPRIETARY INFORMATION. ANY PERSON, CORPORATION OR OTHER FIRM RECEIVING IT IS DEEMED BY RECEIVING IT, TO AGREE THAT IT, AND/OR ANY PART OF IT, SHALL NOT BE DISCLOSED TO ANY PERSON, CORPORATION OR OTHER ENTITY, DUPLICATED, AND/OR USED, EXCEPT AS EXPRESSLY APPROVED IN WRITING IN ADVANCE BY OWNER. THIS DOCUMENT SHALL BE RETURNED TO OWNER UPON REQUEST. IT MAY BE SUBJECT TO CERTAIN RESTRICTIONS UNDER APPLICABLE EXPORT CONTROL LAWS AND REGULATIONS.	DESCRIPTION	OUTLINE MOTOR ASSY
					THIRD ANGLE PROJECTION	SIZE
						DRAWING NUMBER
						71211695
						PROCESS/FINISH
						BLACK
						SHEET
						1 OF 2

NOTES:

1. ALL SPACINGS THRU AIR BETWEEN WIRE AND METAL MUST BE AT LEAST: .063 [1.60]
2. STAMP ROTATION ARROW ON FRONT END FRAME IN POSITION SHOWN.



PACKING SPECIFICATIONS

1. PACK 1 PER CONTAINER; 270 MAX. PER PALLET; PACKING ASSY 87854000, 46 CARTONS PER LAYER, 6 LAYERS PER PALLET PER 88834200 AND 88834408.
2. CARTON LABELS MUST ALL FACE ONE DIRECTION TOWARD THE OPEN END OF THE PALLET. SEE 88834408.

DRAWING REVISION AA		REVISION BY ZF	REV DATE/DATE 05-22-2019	TOLERANCES (EXCEPT AS NOTED): DEC. INCH mm ANGLE .X ±0.1 [E3] ±1° .XX ±0.01 [±0.3] .XXX ±0.005 [±0.13] .XXX ±0.005 [±0.13]			DRAWN BY ZF	REGAL <sup>®</sup> Regal Beloit America, Inc.		
ECO-0167562		APPROVED BY MLS	DATE 05-22-2019	REMOVED SURFACES: 125/ 3.2 MACHINED SURFACES: 125/ 3.2			DATE 5-22-2019	DESCRIPTION OUTLINE MOTOR ASSY		
ECO DESCRIPTION REDRAWN IN SOLIDWORKS				REMOVE BURRS & BREAK SHARP EDGES: .003/.015 [08/38] X 45° CORNER FILLETS: R.02 [.5]			APPROVED BY MLS	PROCESS/FINISH BLACK		
COPYRIGHT (PER REVISION DATE) REGAL BELOIT AMERICA, INC. ALL RIGHTS RESERVED. PROPRIETARY AND CONFIDENTIAL INFORMATION. THIS DOCUMENT IS THE PROPERTY OF REGAL BELOIT AMERICA, INC. OWNERS AND CONTAINS OWNERS PROPRIETARY INFORMATION. ANY PERSON, CORPORATION OR OTHER FIRM RECEIVING IT IS DEEMED BY RECEIVING IT, TO AGREE THAT IT, AND/OR ANY PART OF IT, SHALL NOT BE DISCLOSED TO ANY PERSON, CORPORATION OR OTHER ENTITY, DUPLICATED, AND/OR USED, EXCEPT AS EXPRESSLY APPROVED IN WRITING IN ADVANCE BY OWNER. THIS DOCUMENT SHALL BE RETURNED TO OWNER UPON REQUEST. IT MAY BE SUBJECT TO CERTAIN RESTRICTIONS UNDER APPLICABLE EXPORT CONTROL LAWS AND REGULATIONS.				THIRD ANGLE PROJECTION			REFERENCE 05-22-2019	SIZE C	DRAWING NUMBER 71211695	SHEET 2 OF 2