

PRODUCT INFORMATION PACKET

FASCO®

Model No: D190
Catalog No: D190
1/40 HP Fan & Blower Motor, 1500/1250 RPM, 230 Volts, 3.3" Diameter, Semi Enclosed
Self Cooled Motors



Regal and Fasco are trademarks of Regal Beloit Corporation or one of its affiliated companies.
©2019 Regal Beloit Corporation, All Rights Reserved. MC017097E

REGAL



Nameplate Specifications

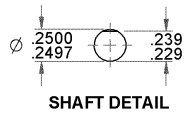
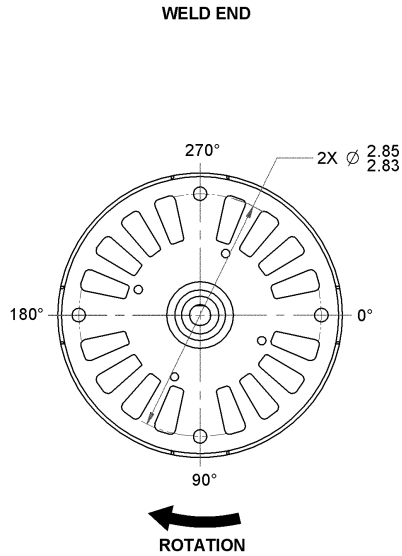
Output HP	1/40 Hp	Output KW	0.02 kW
Frequency	60 Hz	Voltage	230 V
Current	0.60/0.70 A	Speed	1500/1250 rpm
Service Factor	1	Phase	1
Duty	Air Over	Insulation Class	B
Frame	3.3	Enclosure	Open Air Over
Thermal Protection	Thermally Protected	Ambient Temperature	40 °C
UL	Recognized	CSA	Y
CE	N		

Technical Specifications

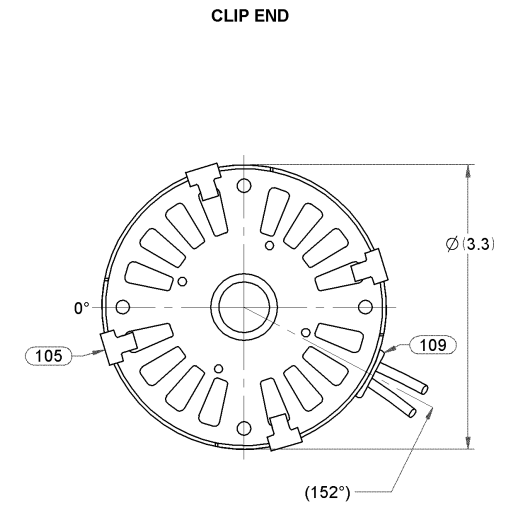
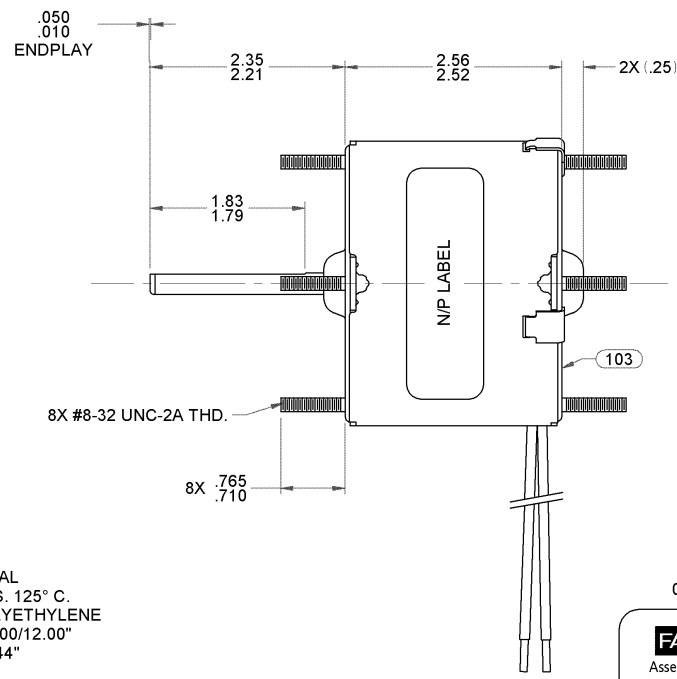
Electrical Type	Shaded Pole	Starting Method	Across The Line
Poles	4	Rotation	Clockwise Shaft End
Mounting	Extended Studs	Drive End Bearing	Sleeve
Opp Drive End Bearing	Sleeve	Frame Material	Steel
Shaft Type	Flat	Overall Length	5.16 in
Frame Length	2.32 in	Shaft Diameter	0.250 in
Shaft Extension	2.30 in		

This is an uncontrolled document once printed or downloaded and is subject to change without notice. Date Created:29/10/2019

31	REVISED N/P LABEL	SD 1-30-08	32	REMOVE BARCODE AND UPDATE NAMEPLATE	KSA 11-04-09	33	ADDED CARTON LABEL NOTES	4002728 MLM 7/22/11	STANDARD TOLERANCES: ANGULAR +/- 1 DEGREE 2 PLACE DECIMAL +/- .01 3 PLACE DECIMAL +/- .005
----	-------------------	------------	----	-------------------------------------	--------------	----	--------------------------	------------------------	---



LEAD MATERIAL
18 GA 2/64 INS. 125° C.
X-LINKED POLYETHYLENE
(2) BLACK, 14.00/12.00"
W/STRIP .56/.44"



0046-4072

0046-4282

FASCO	Fasco Industries, Inc. Motor Division			SAFETY WARNING
Assembled in Mexico	No. 71631509	TYPE U63B1	T.P. AO LR6319	This Motor Must Be Grounded in Accordance With Local Or National Electrical Codes To Prevent Possible Injury Due To Electrical Shock
230 V	0.6/0.7 A	60/50 Hz	Class B	
Model D190		1500/1250 RPM	1/40 HP	
			Max. Amb: 40°C	

6129 9553

NOTES:
PACK 270 MOTORS MAX. PER PALLET.
NO PACKAGING TAPE OVER CARTON LABEL.

FRONT SHAFT POSITION		* TYPICAL PERFORMANCE AT 230 VOLTS 60 Hz.											CUSTOMER: FASCO DIST.		FASCO FASCO MOTORS GROUP AC MOTOR/BLOWER DIVISION												
HORIZONTAL	UP DOWN	MOTOR SPEED	IDLE			LOADED			LOCKED			BREAK	PART NUMBER: D190	CONFIDENTIAL; DO NOT DUPLICATE OR DISCLOSE TO THIRD PARTIES WITHOUT WRITTEN PERMISSION OF FASCO MOTORS GROUP, AC MOTOR/BLOWER DIVISION.													
			R.P.M.	AMP.	WATT	IN.OZ.	R.P.M.	AMP.	WATT	IN.OZ.	AMP.	WATT	IN.OZ.	APPLICATION: COUNTER SALES	MOTOR TYPE					DRAWING NUMBER							
			1760	.46	52	19.5	1550	.51	73	9.0	.75	109	22.8	MOTOR WEIGHT: 2.50 LBS.	SHADED POLE					7163 1509							
CUSTOMER APPROVAL:													ENVIRONMENT: DRY	REV. 33													
SIGNED:													FINISH COLOR: BLACK	B	LA	FR	A	S	C	E	B	A					
DATE:													DRAWN BY: S. DALTON	00	63	30	V	03	JU	5	1	0					
DATE DRAWN: 2-28-2002																											

If Printed, this is an Uncontrolled Document.