

Condensate Pump



AP43-HTS

Axi-Pump Condensate Pumps automatically remove the condensate fluid produced from HVAC appliances like air conditioners, dehumidifier, including harsh acidic water generated from High-efficiency furnaces, boilers, and tankless water heaters.



▶ 43' Lift



- ▶ Rated for High Temperature*
- ▶ Two Inlet Holes
- ▶ Quiet Pump Operation
- ▶ Low Power Consumption
- ▶ Thermal Safety Switch
- ▶ Removable Check Valve
- ▶ 3/8" Outlet Connection
- ▶ Corrosion Resistant Material
- ▶ Stainless Steel Pump Shaft
- ▶ 6' Power Cord with Ground
- ▶ High Level Safety Switch
- ▶ Suitable for All HVAC Equipment

* Suitable for condensate up to 212 °F.

✉ info@axiomind.com

☎ (877)651-1815

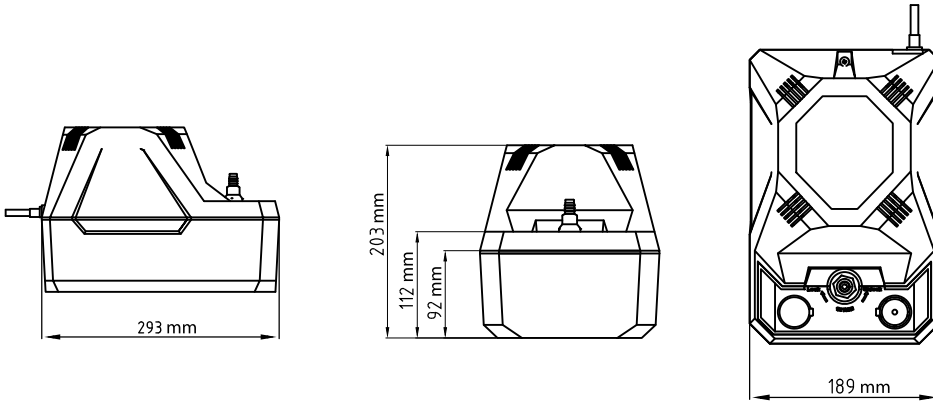
🌐 WWW.AXIOMIND.COM





AP43-HTS Condensate Pump Technical Information

Dimensions :



Pump is certified to
CAN/CSA STD
C22.2 no. 108

4007096
Pump conforms to
ANSI/UL STD 778

Tank : 3.8 Litre

Weight : 3.13 kg, 6.90 lbs (empty)
6.6 kg, 14.6 lbs (full)

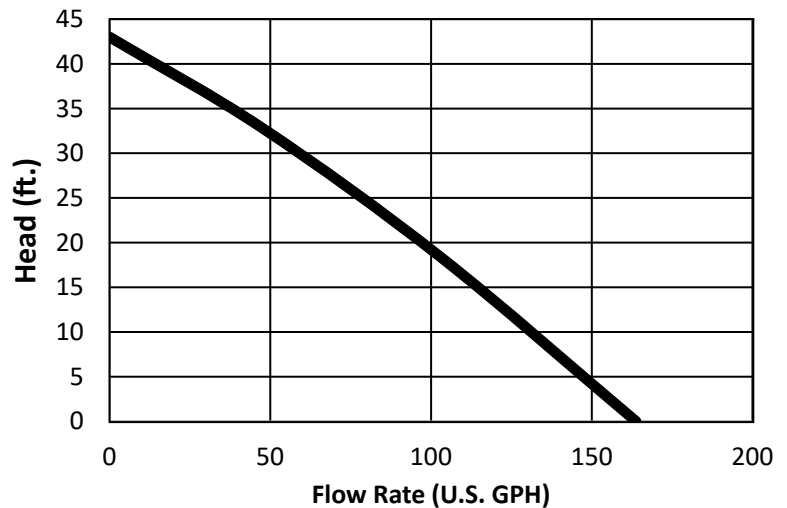
Electrical :

Pump: 120 VAC 60Hz, 226W, 1.91 Amps
High level safety switch rating : 125 or
250VAC 6A, 125V DC 0.4A, 250V DC 0.3A

Pump Performance :

Submerged pump is self-priming
400 L/hr (108 gph) @ free flow
0 L/hr (0 gph) @ 13 m (43ft)

AP43-HTS Pump Curve



Specifications :

The condensate pump shall be AXIOM INDUSTRIES LTD. Model AP43-HTS. System shall include 3.8 litre (0.9 U.S. gallon) tank made and lid made from ABS, pump with thermal cut-out and electrically certified to CAN/CSA STD C22.2 no. 108 conforms to ANSI/UL STD 778; low level float switch; high level float switch with N.C. or N.O. contacts (factory set to N.C.) for remote alarm system; check valve; 6 ft. long power cord. Power supply 120/60/1.91A.

LIMITED WARRANTY

The “AP43-HTS” is warranted against defects in materials and workmanship for two years.

Project Details :

Project _____
Consultant _____
Unit Tag _____

Location _____
Contractor _____
Sales Agent _____