

For Use with Carlin burner models:

All EZs, 99FRD, 100CRD and 102CRD and most other 3450 RPM domestic oil burners

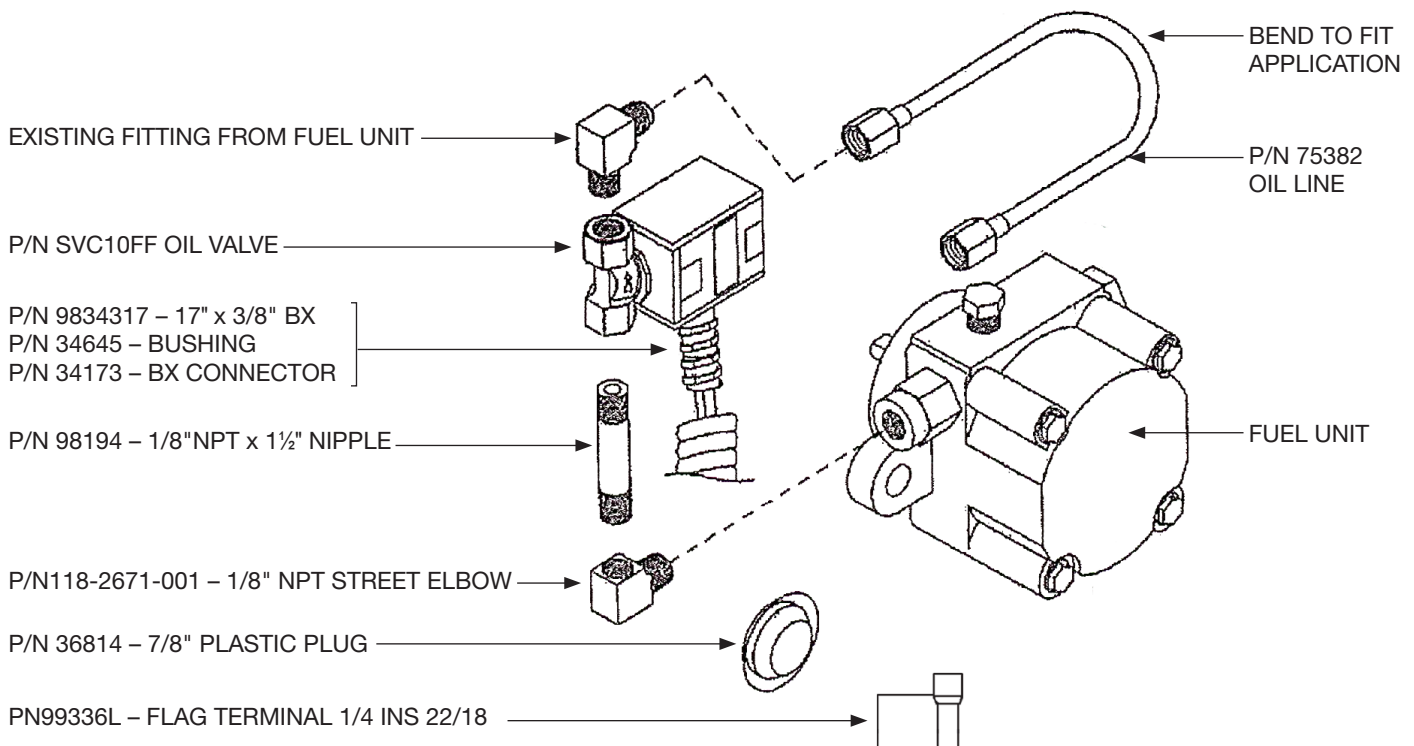
Installation Instructions

for Universal-Instant Opening Oil Valve Kit

P/N 98289

120 VAC

For Use by Qualified Technicians Only



1. Remove existing oil line(s), oil valve (if equipped) and fuel unit from burner housing.
2. Remove male elbow fitting from exit port of fuel unit.
3. Assemble fittings to fuel unit as shown, (use thread sealant on all threads).
4. Reinstall fuel unit onto burner housing, reconnect supply line and install new oil line.
5. Remove middle knockout from boiler side of junction box and install BX connector.
6. Thread BX onto pigtail of oil valve. Connect other end to connector in junction box.
7. Connect one valve lead to power source, (violet lead – Models 60200 and 70200 only, orange motor lead or separate time delay lead.) Connect second valve lead to common.
8. Install plastic plug in hole left by oil valve, if equipped.