

**Location:**



7-500  
TempControl 7 Series  
Specification Submittal


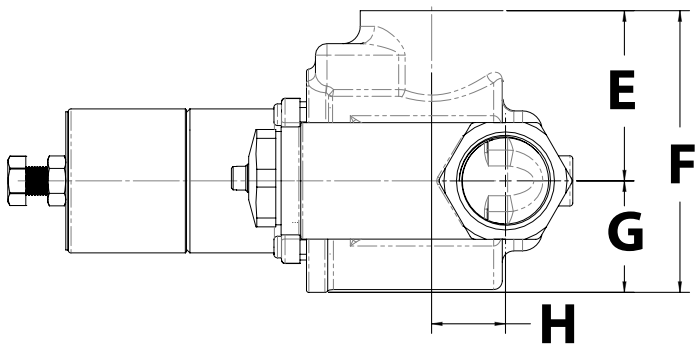
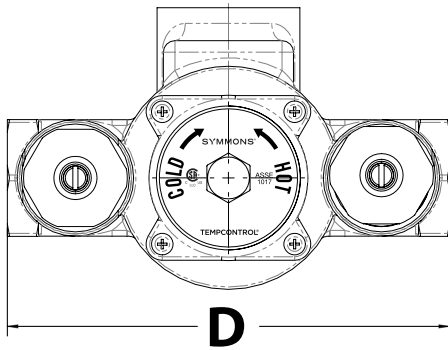
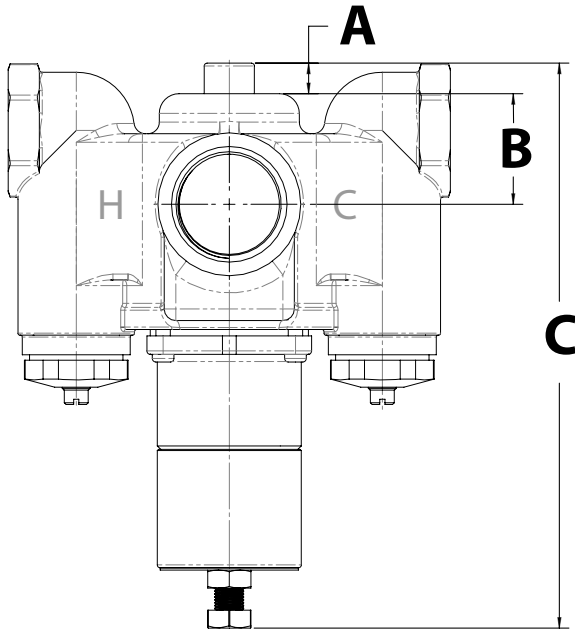
Coordinating Model Numbers	Specification
<input type="checkbox"/> <b>HTA-100</b> <i>High temp audio/visual alarm system</i> <input type="checkbox"/> <b>T-425-500</b> <i>3" bimetal dial thermometer</i> <input type="checkbox"/> <b>BV-500</b> <i>Volume control shut off valve</i> <input type="checkbox"/> <b>SV-500</b> <i>Solenoid valve</i> <input type="checkbox"/> <b>TF-500</b> <i>Tee fitting</i> <input type="checkbox"/> <b>WHA-1</b> <i>Water hammer arrestor</i>	<p>TempControl thermostatic mixing valve made from lead free** metal components. Features serviceable integral check stops (see table 1 for flow rates).</p> <p><b>Temperature control range:</b> 70°F - 150°F (21.1°C - 65.6°C)</p> <p><b>Approach temperature:</b> 5°F (-15°C)</p> <p>**According to US Senate bill S.3874, the term "lead free" is defined as follows: "not more than a weighted average of 0.25 percent lead when used with respect to the wetted surfaces of pipes, pipe fittings, plumbing fittings, and fixtures"</p>
Configurations	Compliance
<input type="checkbox"/> <b>A</b> <i>Valve and piping assembly</i> <input type="checkbox"/> <b>B</b> <i>Valve and piping in cabinet</i> <input type="checkbox"/> <b>BW</b> <i>Valve and piping in cabinet with cold water bypass</i>	<p>-ASME A112.18.1/CSA B125.1            -CSA B125.3            -ASSE 1017            -CA 116875 (AB 1953)            -NSF 372            -US S.3874</p> <p></p> <p><b>Warranty</b></p> <p><b>5 Years</b> - for commercial installations.</p> <p>Refer to <a href="http://www.symmons.com/warranty">www.symmons.com/warranty</a> for complete warranty information.</p>
<p><b>Note:</b> Append appropriate suffix to model number.</p>	

Table 1: Flow Rate - gpm (L/min)								
Valve Model	Min. Flow Rate*	Min. Flow Rate	Pressure Differential - psi (kPa)					
			5 psi (34 kPa)	10 psi (69 kPa)	20 psi (138 kPa)	25 psi (172 kPa)	30 psi (207 kPa)	45 psi (310 kPa)
7-500	0.5 gpm (1.9 L/min)	13 gpm (49 L/min)	22 gpm (83 L/min)	38 gpm (144 L/min)	50 gpm (190 L/min)	55 gpm (209 L/min)	59 gpm (224 L/min)	70 gpm (265 L/min)

\*Minimum flow rate when valve is installed at or near the hot water source with recirculated tempered water and continuously operating circulating pump.

7-500  
TempControl 7 Series  
Specification Submittal

**Dimensions**



TempControl Valve Sizes		
Model No.	Inlet	Outlet
7-500	1"	1 1/4"
Measurements		
Dimension	7-500	
A	1/2", 13 mm	
B	1 15/16", 49 mm	
C	9 5/8", 248 mm	
D	7 11/16", 195 mm	
E	2 15/16", 75 mm	
F	4 7/8", 124 mm	
G	1 15/16", 49 mm	
H	1 5/16", 33 mm	

**Note:**  
Dimensions are subject to change without notice.