




Location:



7-400  
TempControl 7 Series  
Specification Submittal

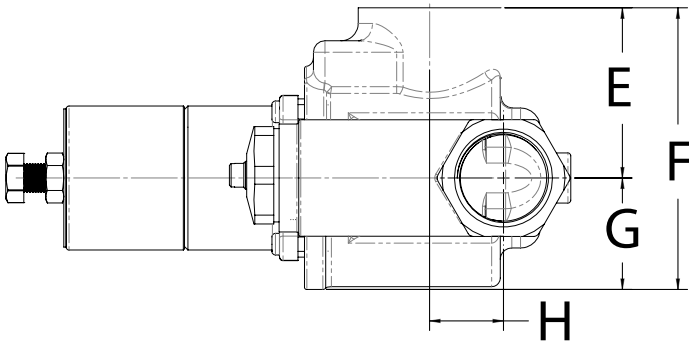
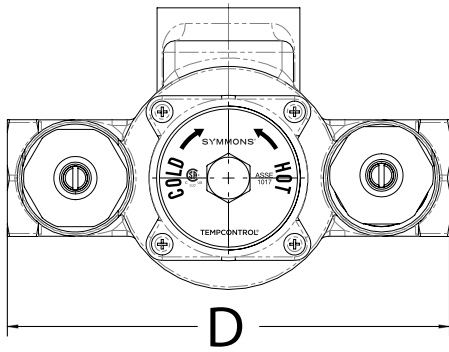
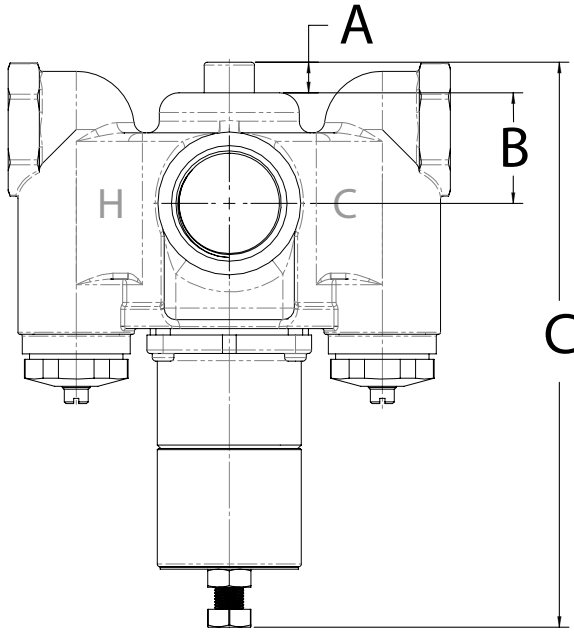
Coordinating Model Numbers		Specification
<input type="checkbox"/> HTA-100	<i>High temp audio/visual alarm system</i>	TempControl thermostatic mixing valve made from lead free* metal components. Features serviceable integral check stops (see table 1 for flow rates).  <b>Temperature control range:</b> 70°F - 150°F (21.1°C - 65.6°C)  <b>Approach temperature:</b> 10°F (-12°C)  <small>*According to US Senate bill S.3874, the term "lead free" is defined as follows: "not more than a weighted average of 0.25 percent lead when used with respect to the wetted surfaces of pipes, pipe fittings, plumbing fittings, and fixtures"</small>
<input type="checkbox"/> T-425-400	<i>3" bimetal dial thermometer</i>	
<input type="checkbox"/> BV-400	<i>Volume control shut off valve</i>	
<input type="checkbox"/> SV-400	<i>Solenoid valve</i>	
<input type="checkbox"/> TF-400	<i>Tee fitting</i>	
<input type="checkbox"/> WHA-1	<i>Water hammer arrestor</i>	
Configurations		Compliance
<input type="checkbox"/> A	<i>Valve and piping assembly</i>	-ASME A112.18.3; CSA B125.3 -ASSE 1017 
<input type="checkbox"/> B	<i>Valve and piping in cabinet</i>	
<input type="checkbox"/> BW	<i>Valve and piping in cabinet with cold water bypass</i>	<b>Warranty</b>  <b>5 Years</b> - for commercial installations. Refer to <a href="http://www.symmons.com/warranty">www.symmons.com/warranty</a> for complete warranty information.
<input type="checkbox"/> NI	<i>Rough nickel finish</i>	
<input type="checkbox"/> W	<i>Wall mounting bracket</i>	

**Note:** Append appropriate -suffix to model number.

Valve Model	Min. Flow Rate**	Min. Flow Rate	Pressure Differential - psi (kPa)					
			5 psi (34 kPa)	10 psi (69 kPa)	20 psi (138 kPa)	25 psi (172 kPa)	30 psi (207 kPa)	45 psi (310 kPa)
7-102	0.5 gpm (1.9 L/min)	0.5 gpm (1.9 L/min)	1 gpm (4 L/min)	3 gpm (11 L/min)	6 gpm (23 L/min)	7 gpm (27 L/min)	8 gpm (30 L/min)	11 gpm (42 L/min)
7-200	0.5 gpm (1.9 L/min)	5 gpm (19 L/min)	7 gpm (27 L/min)	12 gpm (46 L/min)	18 gpm (68 L/min)	21 gpm (80 L/min)	23 gpm (87 L/min)	27 gpm (102 L/min)
7-400	0.5 gpm (1.9 L/min)	9 gpm (34 L/min)	18 gpm (68 L/min)	27 gpm (102 L/min)	37 gpm (140 L/min)	41 gpm (155 L/min)	44 gpm (167 L/min)	53 gpm (201 L/min)
7-500	0.5 gpm (1.9 L/min)	13 gpm (49 L/min)	22 gpm (83 L/min)	38 gpm (144 L/min)	50 gpm (190 L/min)	55 gpm (209 L/min)	59 gpm (224 L/min)	70 gpm (265 L/min)
7-700	0.5 gpm (1.9 L/min)	13 gpm (49 L/min)	25 gpm (95 L/min)	43 gpm (163 L/min)	57 gpm (216 L/min)	62 gpm (235 L/min)	66 gpm (250 L/min)	77 gpm (292 L/min)
7-900	0.5 gpm (1.9 L/min)	13 gpm (49 L/min)	30 gpm (114 L/min)	55 gpm (209 L/min)	76 gpm (288 L/min)	84 gpm (318 L/min)	89 gpm (337 L/min)	104 gpm (394 L/min)
7-1000	0.5 gpm (1.9 L/min)	13 gpm (49 L/min)	38 gpm (144 L/min)	67 gpm (254 L/min)	100 gpm (379 L/min)	111 gpm (421 L/min)	120 gpm (455 L/min)	140 gpm (531 L/min)

\*\*Minimum flow rate when valve is installed at or near the hot water source with recirculated tempered water and continuously operating circulating pump.

## Dimensions



TempControl Valve Sizes		
Model No.	Inlet	Outlet
7-400	3/4"	1"
Measurements		
A	1/2", 13 mm	
B	1 1/2", 39 mm	
C	9 3/4", 251 mm	
D	6 1/2", 165 mm	
E	2 5/8", 67 mm	
F	4 1/8", 105 mm	
G	1 1/2", 38 mm	
H	3/4", 19 mm	

**Note:** Dimensions subject to change without notice.