




Location:

**7-200
TempControl 7 Series
Specification Submittal**



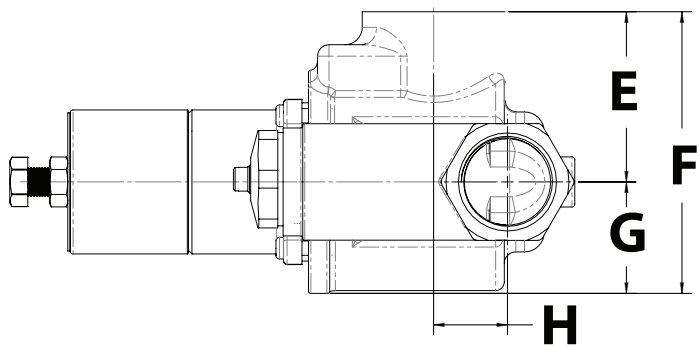
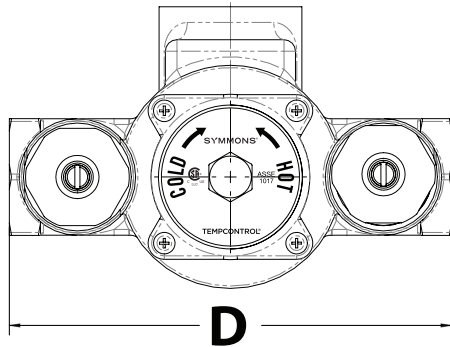
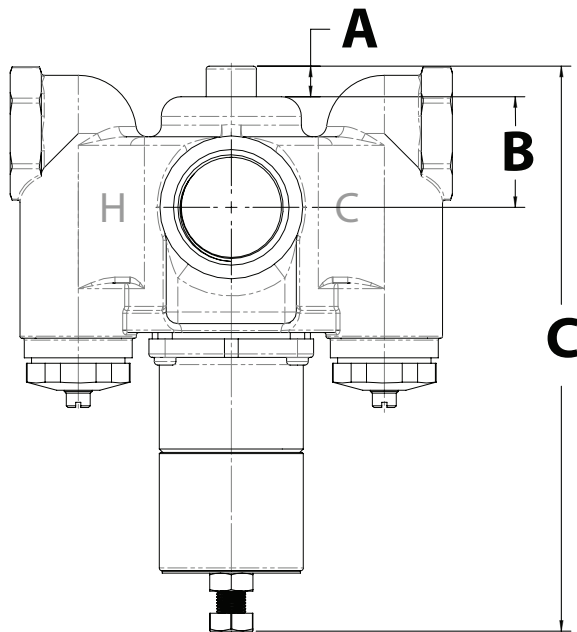
Coordinating Model Numbers	Specification
<input type="checkbox"/> HTA-100 <i>High temp audio/visual alarm system</i> <input type="checkbox"/> T-425-200 <i>3" bimetal dial thermometer</i> <input type="checkbox"/> BV-200 <i>Volume control shut off valve</i> <input type="checkbox"/> SV-200 <i>Solenoid valve</i> <input type="checkbox"/> TF-200 <i>Tee fitting</i> <input type="checkbox"/> WHA-1 <i>Water hammer arrestor</i>	<p>TempControl thermostatic mixing valve made from lead free** metal components. Features serviceable integral check stops (see table 1 for flow rates).</p> <p>Temperature control range: 70°F - 150°F (21.1°C - 65.6°C)</p> <p>Approach temperature: 5°F (-15°C)</p> <p><small>**According to US Senate bill S.3874, the term "lead free" is defined as follows: "not more than a weighted average of 0.25 percent lead when used with respect to the wetted surfaces of pipes, pipe fittings, plumbing fittings, and fixtures"</small></p>
Configurations	Compliance
<input type="checkbox"/> A <i>Valve and piping assembly</i> <input type="checkbox"/> B <i>Valve and piping in cabinet</i> <input type="checkbox"/> BW <i>Valve and piping in cabinet with cold water bypass</i> <input type="checkbox"/> NI <i>Rough nickel finish</i> <input type="checkbox"/> W <i>Wall mounting bracket</i>	<p>-ASME A112.18.1/CSA B125.1 -CSA B125.3 -ASSE 1017 -CA 116875 (AB 1953) -NSF 372 -US S.3874</p> <div style="text-align: right;">  </div> <hr/> <p>Warranty</p> <p>5 Years - for commercial installations.</p> <p>Refer to www.symmons.com/warranty for complete warranty information.</p>

Note:
Append appropriate suffix to model number.

Valve Model	Min. Flow Rate*	Min. Flow Rate	Pressure Differential - psi (kPa)					
			5 psi (34 kPa)	10 psi (69 kPa)	20 psi (138 kPa)	25 psi (172 kPa)	30 psi (207 kPa)	45 psi (310 kPa)
7-200	0.5 gpm (1.9 L/min)	5 gpm (19 L/min)	7 gpm (27 L/min)	12 gpm (46 L/min)	18 gpm (68 L/min)	21 gpm (80 L/min)	23 gpm (87 L/min)	27 gpm (102 L/min)

*Minimum flow rate when valve is installed at or near the hot water source with recirculated tempered water and continuously operating circulating pump.

Dimensions



TempControl Valve Sizes		
Model No.	Inlet	Outlet
7-200	3/4"	3/4"
Measurements		
Dimension	7-200	
A	1/2", 13 mm	
B	1 7/8", 46 mm	
C	8 15/16", 226 mm	
D	5 15/16", 150 mm	
E	2", 51 mm	
F	3 5/16", 84 mm	
G	1 5/16", 33 mm	
H	11/16", 17 mm	

Note:

Dimensions are subject to change without notice.