

# Superior Catalog

## INTEGRA-SEAL® Ball Valves

### WA Series (Welded)

### WAS Series (Welded with Access Fitting)

Robotically Welded Body Joint! Full Size Ports for Unrestricted Flow!

The new line of **INTEGRA-SEAL®** ball valves employ the latest robotic welding technology. Every continuous welded body joint is 100% factory tested to ensure positively leak-free performance.

Dual Teflon\* ball seals surround a polished brass or carbon steel ball at each end.

A secondary seal becomes effective if foreign material scores the primary seal . . . even in extremely unfavorable conditions such as compressor burnout – a Superior exclusive!

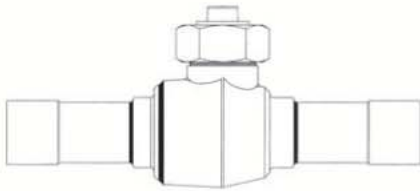
**INTEGRA-SEAL®** ball valves are constructed using all forged brass body with copper tube extensions on all sizes. Mechanical internal forged stops ensure positive open or closed positions – another Superior exclusive! Full open to full close with 1/4 turn.

All sizes incorporate a dual stem seal design utilizing Teflon packing compressed by an internal packing nut forming the primary seal. The unique seal cap design permits valve operation without removal of the seal cap and uses Teflon gaskets to provide a secondary seal – a third Superior

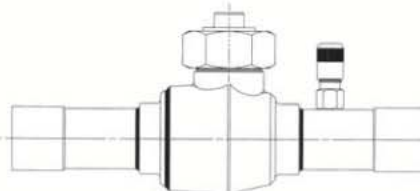
exclusive! There are no synthetic "O" rings. Ball internal relief port design ensures shut-off in either direction of flow . . . even during evacuation of the system. Full flow ports in all sizes 3/8" through 3 1/8". All **INTEGRA-SEAL®** ball valves are non-directional flow and may be installed in any position.

\*Registered Trademark of Dupont

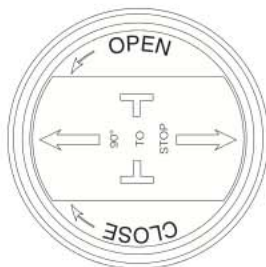
#### INTEGRA-SEAL® WA Series



#### INTEGRA-SEAL® WAS Series (with Access Fitting)



#### Seal Cap



Catalog Number	IBCA Number	With Access Fitting	Size (Inches)		Connection (ODS)	Ball Port Diameter	Weight WA	(Pounds) WAS
			IBCA Number					
586WA-4ST	23767				1/4	0.50	0.7	N/A
586WA-6ST	58651	586WAS-6ST	59726		3/8	0.50	0.7	0.77
586WA-8ST	58652	586WAS-8ST	59727		1/2	0.50	0.7	0.77
586WA-10ST	58564	586WAS-10ST	59728		5/8	0.50	0.7	0.77
587WA-12ST	58659				3/4	0.75	1.0	N/A
587WA-14ST	58584	587WAS-14ST	59729		7/8	0.75	1.0	1.10
591WA-11ST	58756	591WAS-11ST	59730		1 1/8	1.00	2.2	2.42
592WA-13ST	58790	592WAS-13ST	60072		1 3/8	1.50	3.8	4.18
593WA-15ST	58793	593WAS-15ST	59731		1 5/8	1.50	3.8	4.18
594WA-21ST	58865	594WAS-21ST	59732		2 1/8	2.01	8.0	8.80
594WA-25ST**	58864				2 5/8	2.01	11.0	N/A
594WA-31ST**	58863				3 1/8	2.01	11.0	N/A
595WA-25ST	60235	595WAS-25ST	60316		2 5/8	2.44	15.0	15.80
596WA-31ST	59143	596WAS-31ST	59733		3 1/8	2.91	25.0	26.00
596WA-35ST**	59146				3 5/8	2.91	26.0	N/A
596WA-41ST**	59150				4 1/8	2.91	27.0	N/A
**Reduced Ports								
<b>METRIC SIZES AVAILABLE</b>								
586WAV-10MM	58928	<b>Consult Factory For Availability of Access Fittings in Metric Sizes or For Other Sizes Not Shown</b>			10MM	0.50	0.7	N/A
586WAV-12MM	58931				12MM	0.50	0.7	N/A
586WAV-15MM	58934				15MM	0.50	0.7	N/A
586WAV-16MM	58076				16MM	0.50	0.7	N/A
587WAV-18MM	58938				18MM	0.75	1.0	N/A
587WAV-22MM	58079				22MM	0.75	1.0	N/A
591WAV-28MM	59082				28MM	1.00	2.2	N/A
592WAV-35MM	59085				35MM	1.50	3.8	N/A
593WAV-42MM	59318				42MM	1.50	3.8	N/A

#### Seal Cap

Exclusive Seal Cap design permits operation of valve without removal. Markings on cap top designates at-a-glance open or closed ball position.

## INTEGRA-SEAL®

### WA Series (Welded)

### WAS Series (Welded with Access Fitting)

- Full refrigeration service temperature range of -40°F to +325°F (-40°C to +149°C).
- Design Working Pressure: 700 psig.
- U.L. and C-U.L. Listed File No. SA3462 (N) except for metric sizes and oxygen.
- WAS Series includes access fitting, strategically located on tube extension.
- No synthetic "O" ring seals. Double seal protection provides a Superior stem design.
- Seal Cap Nut Torque
- Polished brass or carbon steel ball.
- Forged brass body and seal cap.
- Seal cap design permits valve operation without removal of seal cap
- All **INTEGRA-SEAL®** ball valves are suitable for use with R11, R12, R22, R123, R125, R134A, R236FA, R402A, R402B, R404A, R407C, R410A, R500, R502, R507, RS44 and ozone friendly natural refrigerants. For gases or liquids not listed, please consult factory.
- Spare Parts List, pgs. 58-59

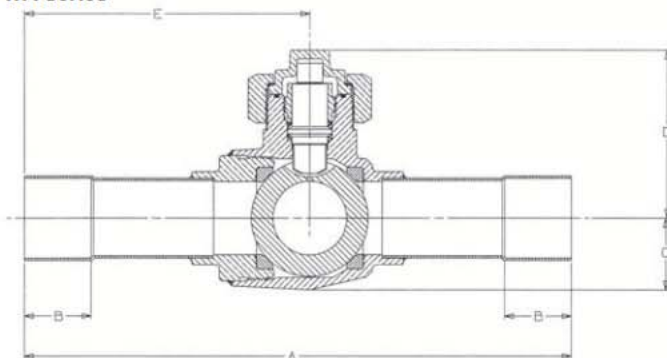
Catalog Number	With Access Fitting	Dimensions (Inches)						Maximum Width	C <sub>V</sub>
		A	B	C	D	E	F		
586WA-4ST		6.50	0.31	0.56	1.80	3.44	1.75	1.38	N/A
586WA-6ST	586WAS-6ST	6.50	0.31	0.56	1.80	3.44	1.75	1.38	3.60
586WA-8ST	586WAS-8ST	6.50	0.38	0.56	1.80	3.44	1.75	1.38	7.40
586WA-10ST	586WAS-10ST	6.50	0.50	0.56	1.80	3.44	1.75	1.38	14.60
587WA-12ST		6.56	0.63	0.73	1.96	3.46	1.75	1.88	22.30
587WA-14ST	587WAS-14ST	6.56	0.75	0.73	1.96	3.46	1.75	1.88	30.00
591WA-11ST	591WAS-11ST	7.69	0.94	1.03	2.37	4.01	1.75	2.31	62.00
592WA-13ST	592WAS-13ST	8.88	1.00	1.42	2.73	4.49	2.21	3.19	110.00
593WA-15ST	593WAS-15ST	9.13	1.09	1.42	2.73	4.62	2.21	3.19	135.00
594WA-21ST	594WAS-21ST	9.88	1.34	1.85	3.11	5.07	2.57	4.06	270.00
594WA-25ST**		12.88	1.44	1.85	3.11	6.57	N/A	4.06	250.00
594WA-31ST**		13.75	1.63	1.85	3.11	7.01	N/A	4.06	240.00
595WA-25ST	595WAS-25ST	12.92	1.50	2.30	3.95	6.52	3.35	4.65	340.00
596WA-31ST	596WAS-31ST	16.31	1.69	2.75	4.35	8.32	3.63	5.63	480.00
596WA-35ST**		16.03	1.94	2.75	4.35	8.32	N/A	5.63	455.00
596WA-41ST**		16.03	1.94	2.75	4.35	8.32	N/A	5.63	430.00

\*\*Reduced Ports

#### METRIC SIZES AVAILABLE

586WAV-10MM		6.50	0.31	0.56	1.80	3.44	N/A	1.38	3.60
586WAV-12MM	Consult Factory For Availability of Access Fittings in Metric Sizes or For Other Sizes Not Shown	6.50	0.38	0.56	1.80	3.44	N/A	1.38	7.40
586WAV-15MM		6.50	0.50	0.56	1.80	3.44	N/A	1.38	14.60
586WAV-16MM		6.50	0.50	0.56	1.80	3.44	N/A	1.38	14.60
587WAV-18MM		6.50	0.58	0.73	1.96	3.44	N/A	1.88	22.30
587WAV-22MM		6.41	0.67	0.73	1.96	3.38	N/A	1.88	30.00
591WAV-28MM		7.40	0.79	1.01	2.37	3.87	N/A	2.31	62.00
592WAV-35MM		8.88	1.00	1.42	2.73	4.50	N/A	3.19	110.00
593WAV-42MM	9.12	1.25	1.42	2.73	4.50	N/A	3.19	135.00	

#### INTEGRA-SEAL® WA Series



#### INTEGRA-SEAL® WAS Series

