


Position	Count	Description
	1	<p>MAGNA3 40-80 F N</p>  <p style="text-align: center;">Product photo could vary from the actual product</p> <p>Product No.: 98126802</p> <p>MAGNA3 – More than a pump With its unrivalled efficiency, all-encompassing range and built-in communication capabilities plus functionalities replacing system components, the MAGNA3 is ideal for engineers and specifiers looking to create high-performance systems for buildings.</p> <p>This pump in the Grundfos Master Class will fit both heating and cooling applications perfectly, making it the obvious choice for almost any building project – old or new.</p> <p>The MAGNA3 is of the canned-rotor type, i.e. pump and motor form an integral unit without shaft seal and with only two gaskets for sealing. The bearings are lubricated by the pumped liquid.</p> <p>The innovative clamp with only one screw enables easy repositioning of the pump head.</p> <p>The MAGNA3 is a pump with no maintenance requirements and with extremely low Life Cycle Cost.</p> <p>The pump is characterised by the following:</p> <ul style="list-style-type: none"> • controller integrated in the control box • control panel with TFT display on the control box • control box prepared for optional CIM modules • built-in differential-pressure and temperature sensor • cast-iron pump housing (depending on model) • carbon-fiber-reinforced composite rotor can • stainless-steel bearing plate and rotor cladding • aluminium alloy stator housing • air-cooled power electronics <p>The MAGNA3 is a single-phase pump.</p> <p>Characteristic features</p> <ul style="list-style-type: none"> • AUTOADAPT. • FLOWADAPT and FLOWLIMIT (more than a pump function as it reduces the need for pump throttling valves). • Proportional-pressure control. • Constant-pressure control. • Constant-temperature control. • Constant-curve duty. • Max. or min. curve duty. • Automatic Night Setback. • No external motor protection required. • Insulating shells supplied with single-head pumps for heating systems. • Large temperature range where the liquid temperature and the ambient temperature are independent of each other. <p>Communication</p> <p>The MAGNA3 enables communication via the following:</p> <ul style="list-style-type: none"> • wireless Grundfos GO Remote

Position	Count	Description																																																
		<ul style="list-style-type: none"> • fieldbus communication via CIM modules • digital inputs • relay outputs • analog input (more than a pump function as heat energy meter) <p>Motor and electronic controller</p> <p>The MAGNA3 incorporates a 4-pole synchronous, permanent-magnet motor (PM motor). This motor type is characterised by higher efficiency than a conventional asynchronous squirrel-cage motor.</p> <p>The pump speed is controlled by an integrated frequency converter.</p> <p>A differential-pressure and temperature sensor is incorporated in the pump.</p> <p>Liquid:</p> <table style="width: 100%; border: none;"> <tr> <td style="width: 60%;">Pumped liquid:</td> <td>Water</td> </tr> <tr> <td>Liquid temperature range:</td> <td>14 .. 230 °F</td> </tr> <tr> <td>Liquid temp:</td> <td>140 °F</td> </tr> <tr> <td>Density:</td> <td>61.35 lb/ft³</td> </tr> </table> <p>Technical:</p> <table style="width: 100%; border: none;"> <tr> <td style="width: 60%;">TF class:</td> <td>110</td> </tr> <tr> <td>Approvals on nameplate:</td> <td>ETL, FCC W_RADIAL, UL DW 372</td> </tr> </table> <p>Materials:</p> <table style="width: 100%; border: none;"> <tr> <td style="width: 60%;">Pump housing:</td> <td>Stainless steel EN 1.4308 ASTM 351 CF8</td> </tr> <tr> <td>Impeller:</td> <td>PES 30%GF</td> </tr> </table> <p>Installation:</p> <table style="width: 100%; border: none;"> <tr> <td style="width: 60%;">Range of ambient temperature:</td> <td>32 .. 104 °F</td> </tr> <tr> <td>Maximum operating pressure:</td> <td>174 psi</td> </tr> <tr> <td>Flange standard:</td> <td>GF</td> </tr> <tr> <td>Pipe connection:</td> <td>GF15/26/40/43</td> </tr> <tr> <td>Pressure stage:</td> <td>PN12</td> </tr> <tr> <td>Port-to-port length:</td> <td>8 9/16 in</td> </tr> </table> <p>Electrical data:</p> <table style="width: 100%; border: none;"> <tr> <td style="width: 60%;">Power input - P1:</td> <td>16 .. 276 W</td> </tr> <tr> <td>Maximum current consumption:</td> <td>0.3 .. 2.45 A</td> </tr> <tr> <td>Main frequency:</td> <td>60 Hz</td> </tr> <tr> <td>Rated voltage:</td> <td>1 x 115 V</td> </tr> <tr> <td>Enclosure class (IEC 34-5):</td> <td>X4D</td> </tr> <tr> <td>Insulation class (IEC 85):</td> <td>F</td> </tr> </table> <p>Others:</p> <table style="width: 100%; border: none;"> <tr> <td style="width: 60%;">Energy (EEI):</td> <td>0.19</td> </tr> <tr> <td>Net weight:</td> <td>36.2 lb</td> </tr> <tr> <td>Gross weight:</td> <td>40 lb</td> </tr> <tr> <td>Shipping volume:</td> <td>1.41 ft³</td> </tr> </table>	Pumped liquid:	Water	Liquid temperature range:	14 .. 230 °F	Liquid temp:	140 °F	Density:	61.35 lb/ft ³	TF class:	110	Approvals on nameplate:	ETL, FCC W_RADIAL, UL DW 372	Pump housing:	Stainless steel EN 1.4308 ASTM 351 CF8	Impeller:	PES 30%GF	Range of ambient temperature:	32 .. 104 °F	Maximum operating pressure:	174 psi	Flange standard:	GF	Pipe connection:	GF15/26/40/43	Pressure stage:	PN12	Port-to-port length:	8 9/16 in	Power input - P1:	16 .. 276 W	Maximum current consumption:	0.3 .. 2.45 A	Main frequency:	60 Hz	Rated voltage:	1 x 115 V	Enclosure class (IEC 34-5):	X4D	Insulation class (IEC 85):	F	Energy (EEI):	0.19	Net weight:	36.2 lb	Gross weight:	40 lb	Shipping volume:	1.41 ft ³
Pumped liquid:	Water																																																	
Liquid temperature range:	14 .. 230 °F																																																	
Liquid temp:	140 °F																																																	
Density:	61.35 lb/ft ³																																																	
TF class:	110																																																	
Approvals on nameplate:	ETL, FCC W_RADIAL, UL DW 372																																																	
Pump housing:	Stainless steel EN 1.4308 ASTM 351 CF8																																																	
Impeller:	PES 30%GF																																																	
Range of ambient temperature:	32 .. 104 °F																																																	
Maximum operating pressure:	174 psi																																																	
Flange standard:	GF																																																	
Pipe connection:	GF15/26/40/43																																																	
Pressure stage:	PN12																																																	
Port-to-port length:	8 9/16 in																																																	
Power input - P1:	16 .. 276 W																																																	
Maximum current consumption:	0.3 .. 2.45 A																																																	
Main frequency:	60 Hz																																																	
Rated voltage:	1 x 115 V																																																	
Enclosure class (IEC 34-5):	X4D																																																	
Insulation class (IEC 85):	F																																																	
Energy (EEI):	0.19																																																	
Net weight:	36.2 lb																																																	
Gross weight:	40 lb																																																	
Shipping volume:	1.41 ft ³																																																	

Description	Value
-------------	-------

General information:

Product name: MAGNA3 40-80 F N
 Product No.: [98126802](#)
 EAN: 5710629499646
 Price: On request

Technical:

Head max: 26.25 ft
 TF class: 110
 Approvals on nameplate: ETL, FCC W_RADIAL, UL DW 372

Model: A

Materials:

Pump housing: Stainless steel
 EN 1.4308
 ASTM 351 CF8
 Impeller: PES 30%GF

Installation:

Range of ambient temperature: 32 .. 104 °F
 Maximum operating pressure: 174 psi
 Flange standard: GF
 Pipe connection: GF15/26/40/43
 Pressure stage: PN12
 Port-to-port length: 8 9/16 in

Liquid:

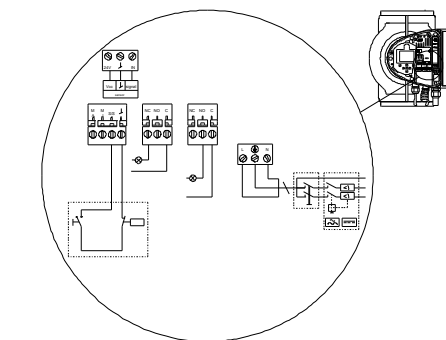
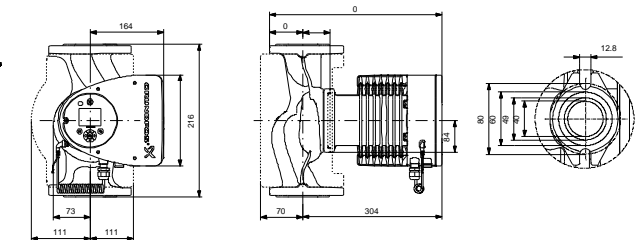
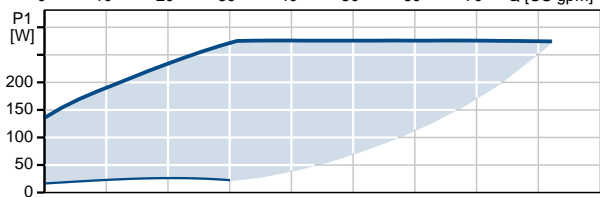
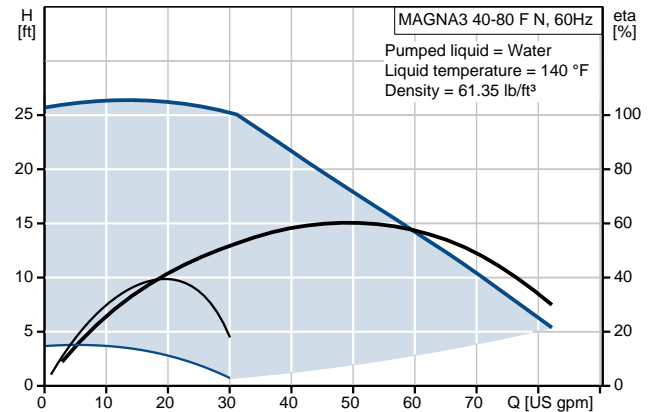
Pumped liquid: Water
 Liquid temperature range: 14 .. 230 °F
 Liquid temp: 140 °F
 Density: 61.35 lb/ft³

Electrical data:

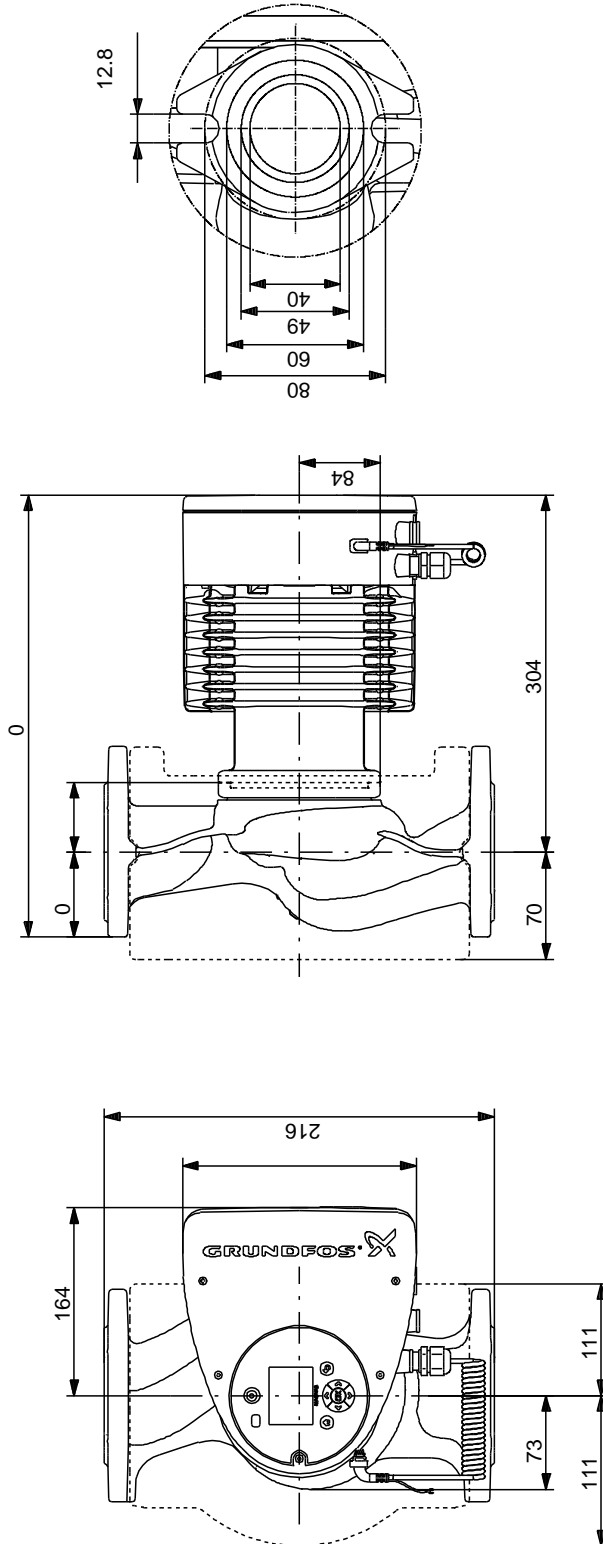
Power input - P1: 16 .. 276 W
 Maximum current consumption: 0.3 .. 2.45 A
 Main frequency: 60 Hz
 Rated voltage: 1 x 115 V
 Enclosure class (IEC 34-5): X4D
 Insulation class (IEC 85): F

Others:

Energy (EEI): 0.19
 Net weight: 36.2 lb
 Gross weight: 40 lb
 Shipping volume: 1.41 ft³



98126802 MAGNA3 40-80 F N 60 Hz



Note! All units are in [mm] unless otherwise stated.
Disclaimer: This simplified dimensional drawing does not show all details.