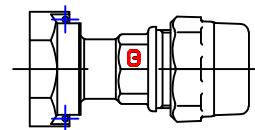


Cambridge Brass  
P.O. Box 249  
140 Orion Place  
Cambridge, Ontario  
Canada N1R 5V1  
Tel: (519) 621-5520  
Fax: (519) 621-8674  
http://www.cambridgebrass.com

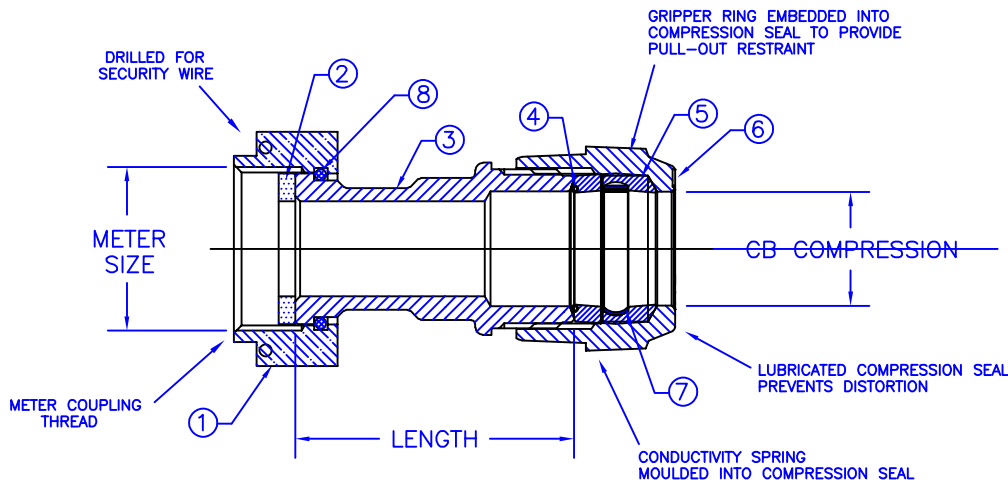


MODEL NO. 417NL

METER SWIVEL NUT x CB COMPRESSION

METER COUPLING

FOR COPPER OR PLASTIC TUBING (CTS)



PARTS AND MATERIAL:

1. METER SWIVEL NUT: CAST BRASS, ALLOY C84400
2. GASKET: EPDM RUBBER
3. TAILPIECE: CAST BRASS, ALLOY C89833
4. CONDUCTOR SPRING: BRASS
5. COMPRESSION SEAL: EPDM RUBBER
6. COMPRESSION NUT: CAST BRASS, ALLOY C89833
7. GRIPPER: STAINLESS STEEL, ALLOY 302
8. RETAINER RING: PHOSPOR BRONZE WIRE

FEATURES:

- CONFORMS TO AWWA C800 (ASTM B584 UNS C89833 FOR ALL BRASS PARTS IN CONTACT WITH POTABLE WATER)
- CONFORMS TO ANSI/NSF 61-8
- CONFORMS TO ANSI/NSF 372 (COMPLIANT WITH US Safe Drinking Water Act. PL 111-380)
- 300PSI WORKING PRESSURE
- CONFORMS TO AWWA C700 FOR METER THREADS.
- BODY HAS HEAVY HEX ON BARREL TO FACILITATE INSTALLATION.
- METER SWIVEL NUT IS NOT REMOVABLE.

Cambridge Brass considers the information in this submittal form to be correct at the time of publication. Item and option availability, including specifications, are subject to change without notice.

CATALOG NO.	METER SIZE	METER THREAD	CB COMPRESSION	LENGTH	APPROX. WT. LBS.
417NL-T1H1	5/8"	3/4" NPSM	1/2"	2.20"	
417NL-T1H3	5/8"	3/4" NPSM	3/4"	2.20"	0.9
417NL-T3H3	5/8"x3/4" & 3/4"	1" NPSM	3/4"	2.20"	0.9
417NL-T4H4	1"	1 1/4" NPSM	1"	2.50"	

Submitted by: