

# ACCESSORY KIT INSTALLATION INSTRUCTIONS

## SIDE WALL VENT KIT 1HT0902 FOR ALL 90% GAS FURNACE MODELS

### CONTENTS

- Vent terminal base
- Vent terminal cap
- Four (4) 1" long stainless screws
- Four (4) 2" long stainless screws
- Four (4) plastic screw anchors
- Instruction sheet

### GENERAL

#### ⚠ WARNING

*This vent kit is only to be used for venting Category IV (condensing) furnaces. Do not use this kit to vent Category I, II or III furnaces. Failure to follow this warning could result in fire, personal injury or death.*

#### DO NOT APPLY TO NON-CONDENSING FURNACES

#### THIS KIT IS TO BE USED FOR SIDE WALL VENTING ONLY. IT IS NOT TO BE USED FOR ROOFTOP VENTING.

This vent kit may be used with 1-1/2" or 2" vent systems. The vent kit must terminate outside the structure and may be installed with the intake and exhaust pipes located side-by-side or with one pipe above the other. It is not required that the terminal be installed in any specific orientation. See Figure 1.

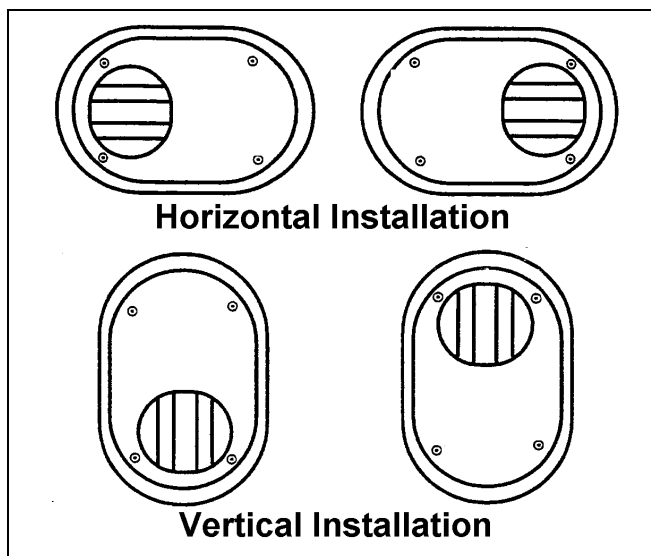


FIGURE 1

Field-supplied pipe and fittings are required in order to complete the installation. All combustion air and vent piping must conform to American National Standards Institute (ANSI) standards and American Society for Testing and Materials (ASTM) Standards D1785 (Schedule 40 PVC), D2665 (PVC-DWV), F891 (PVC-DWV Cellular Core), D2241 (SDR-21 and SDR-26 PVC), D2261 (ABS-DWV), or F628 (Schedule 40 ABS). Pipe cement and primer must conform to ASTM Standards D2564 (PVC) or D2235 (ABS).

### INSTALLATION

#### ⚠ CAUTION

*This kit must be installed in strict compliance with these installation instructions and any applicable local, state and national codes.*

- Determine the best location for the vent terminal. In addition to all applicable codes, consider the following when determining the location:
  - The vent terminal should be located so as to minimize the total length and number of elbows in the piping. Consult the furnace installation instructions for the pipe lengths and number of elbows allowed.
  - Terminal should be positioned where vent vapors will not damage plants, shrubs or air conditioning equipment.
  - Terminal should be located where it will not be affected by wind gusts, light snow, airborne leaves or other debris, and where it will not allow recirculation of flue gases.
  - Terminal should be located where it will not be damaged or exposed to flying stones, balls, etc.
  - Terminal should be located where vent vapors are not objectionable.
- Use the vent terminal base as a template to locate the pipe holes through the wall and the four mounting holes.
- Cut two 2-3/4" diameter holes for the vent and air intake pipes.
- Drill four 3/16" diameter holes for inserting the plastic screw anchors into the wall.
- Insert the four plastic screw anchors into the screw holes and mount the vent terminal base to the wall using the four long screws provided (#8 pan head, 2" long, SMS Type A 18-8 stainless steel).
- Assemble the vent terminal cap to the vent terminal base, using the four short screws provided (#8 pan head, 1" long, SMS Type A 18-8 stainless steel). See Figure 2.
- Install vent and air intake pipes into the back side of the openings in the vent terminal base.

8. Seal all gaps between the pipes and the wall. See Figure 3.
9. Use RTV silicone sealant to seal the vent pipe to the vent cap. This will allow the terminal to be disassembled later if necessary for cleaning. DO NOT use PVC solvent cement to seal this connection.

10. To reduce to 1-1/2" diameter pipe, field-supplied reducing couplings are required.
11. Operate the furnace for at least 15 minutes to make sure that it is working properly and that all piping joints are sealed to prevent the escape of combustion products into the home.

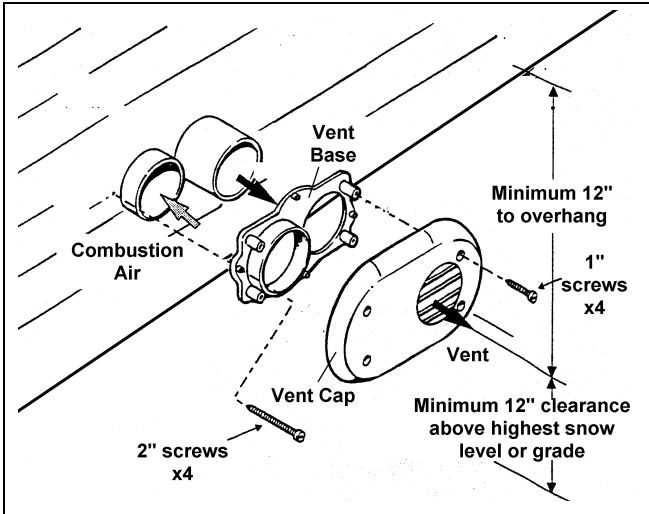


FIGURE 2

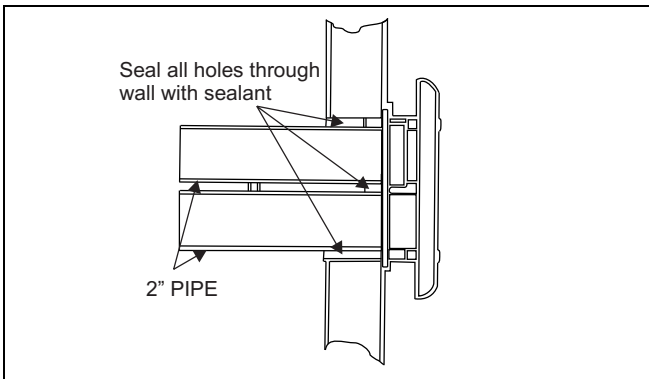


FIGURE 3

**⚠ WARNING**

*Do not operate the furnace without the vent terminal cap in place, as recirculation of flue products may occur. This can also cause water to collect inside the combustion air pipe where it can flow back to the furnace burner box. Failure to follow this warning can result in product damage or improper operation, personal injury or death.*

12. For installations where two or more furnaces are to be vented using these kits, there must be a minimum of one inch clearance between the vent terminal caps. To prevent condensate freezing problems, do not install multiple vent kits above one another.