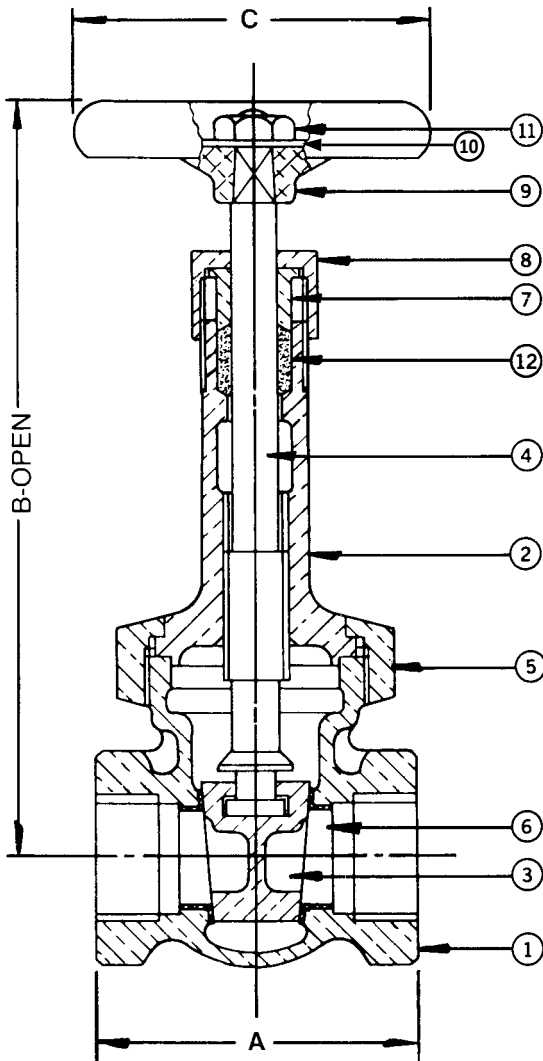


1184 1/4"-3"

**Bronze Gate Valve
300 SWP - 1000 WOG †
Solid Wedge Disc • Rising Stem
Union Bonnet • Threaded Ends • Stainless Seat
Conforms to: MSS SP-80**

Wear-resistant stainless seat rings are securely expanded into the body to assure trouble-free service. Normal seating wear is restricted to the bronze wedge and can be easily replaced.



Note: Not intended for use in potable water.

| MATERIAL LIST | | | |
|---------------|------------------|------------|-------------------|
| No. | PART | MATERIAL | SPECIFICATION |
| 1 | Body | Bronze | ASTM B61 |
| 2 | Bonnet | Bronze | ASTM B61 |
| 3 | Wedge Disc | Bronze | ASTM B61 |
| 4 | Stem | Bronze | ASTM B61 |
| 5 | Union Bonnet Nut | Bronze | ASTM B61 |
| 6 | Seat Ring | St. Steel | ASTM A 240 TY304 |
| 7 | Gland | Brass | ASTM B 124 C37700 |
| 8 | Packing Nut | Brass | ASTM B 283 C37700 |
| 9 | Handwheel | Mall. Iron | Commercial |
| 10 | Name Plate | Aluminum | Commercial |
| 11 | Handwheel Nut | Brass | Commercial |
| 12 | Packing | Graphite | Commercial |

| DIMENSIONS - INCHES/MILLIMETERS | | | | | |
|---------------------------------|-------|-------------|--------------|-------------|----------------|
| Units | Size | A | B | C | C _v |
| Inches mm | 1/4 | 1.81 46 | 5.13 130 | 2.25 57 | 5.6 |
| Inches mm | 3/8 | 1.88 48 | 5.13 130 | 2.25 57 | 10.7 |
| Inches mm | 1/2 | 2.25 57 | 5.50 140 | 2.50 64 | 17.6 |
| Inches mm | 3/4 | 2.50 64 | 6.25 159 | 2.75 70 | 32.0 |
| Inches mm | 1 | 3.00 76 | 7.19 183 | 2.75 70 | 54.0 |
| Inches mm | 1 1/4 | 3.38 86 | 8.56 218 | 3.25 83 | 97.0 |
| Inches mm | 1 1/2 | 3.50 89 | 9.63 245 | 3.75 95 | 135.0 |
| Inches mm | 2 | 3.75 95 | 11.75 299 | 4.25 108 | 230.0 |
| Inches mm | 2 1/2 | 4.63 118 | 14.50 368 | 4.75 121 | 337.0 |
| Inches mm | 3 | 5.00 127 | 16.75 426 | 5.50 140 | 536.0 |

† Non-Shock

INNOVATION IN EVERY VALVE

The information presented on this sheet is correct at time of publication. Milwaukee Valve reserves the right to change design and/or materials without notice. For our Installation, Operation and Maintenance Manual and the most current product information go to www.milwaukeevalve.com. ⚠ State of California Prop 65
WARNING: Cancer and Reproductive Harm. For more information visit www.p65warnings.ca.gov.



MILWAUKEE VALVE