



## AngleMix™

### ANGLE-STYLE THERMOSTATIC MIXING VALVE

**CALEFFI**  
Hydronic Solutions



Plumbing

Protecting the system to protect your water



## PRODUCT FEATURES

- Simplified installation:**  
 Reduces installation labor and materials because the hot inlet port is in line with mixed outlet port, eliminating a piping elbow as required using standard mixing valves.
- Anti-scale polymer materials:**  
 Inhibits scaling on internal sliding surfaces, assuring stable temperature control and long life.
- Accurate low flow:**  
 0.5 GPM minimum flow for stable control for today's high efficiency fixtures.
- Temperature gauge:**  
 Local temperature indication. Convenient drywell design.
- Tight closeoff inlets:**  
 Eliminates "temperature creep" in domestic water recirculation systems.
- Precision manufactured:**  
 Fine threads for smooth knob adjustment and accurate setting.

### Exclusive angle-style body simplifies installation

The Caleffi AngleMix™ is the industry's only thermostatic mixing valve with an angle-style body. This configuration minimizes the use of elbow fittings for reduced installation time and cost. The AngleMix delivers precise mixed temperature stability as low as .5 gpm for today's high efficiency fixtures. In domestic recirculation systems, the tight inlet close-off performance prevents temperature creep without the need for return water balancing valve(s).

PRODUCT RANGE - AngleMix™ Thermostatic mixing valve, 520 series



SIZES	INLET CHECK VALVES	CODE		
		SWEAT	PRESS	BODY ONLY MALE UNION THD
3/4"	--	520519A	520516A	520051A*
	✓	520519AC	520516AC	--

\* Add select fittings from Caleffi selection table in current Plumbing and Hydronics Catalog.

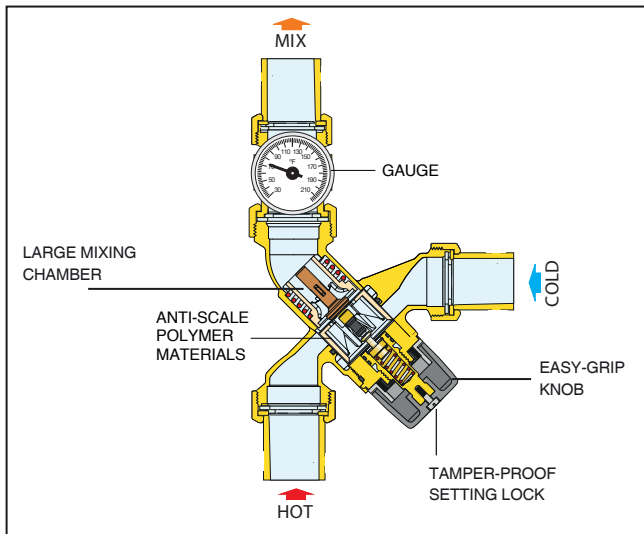
NSF 372



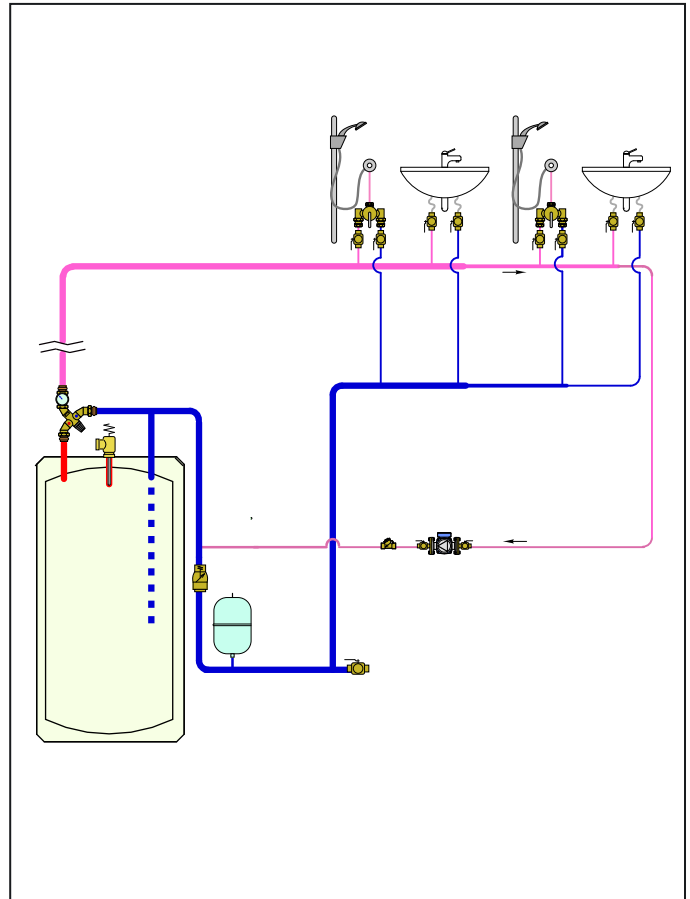
PERFORMANCE

MAX. WORKING PRESSURE	150 psi (10 bar)
SETTING TEMPERATURE RANGE	95 – 150°F (35 – 65°C)
ACCURACY	±3°F (±2°C)
Cv	2.0
MAX. HOT WATER INLET TEMP.	195°F (90°C)
MIN. FLOW FOR OPTIMAL PERFORMANCE	0.5 GPM (2 L/min)

CONSTRUCTION



APPLICATION DIAGRAM



Caleffi Partner:



**CALEFFI**  
Hydronic Solutions

03643-20.1NA